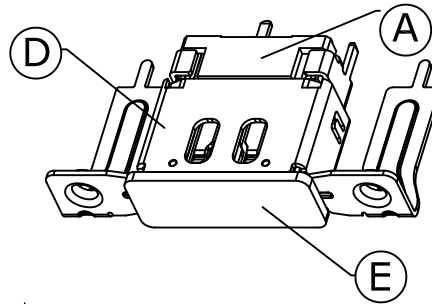
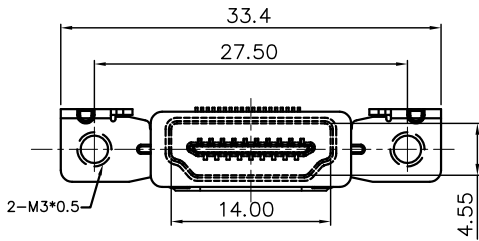


1	2	3	4	5	6	7	8	9	10
SWITCH CIRCUIT			MATERIAL AND FINISH AS BELOW						
WHEN CARD IS EJECTED		WHEN CARD IS INSERTED		A	Housing	LCP UL94V-0 Black	E	Pick Up	LCP UL94V-0 Black
				B	Contact	Phosphor Bronze C5210,Contact Area: 15u" Gold	F		
				C	Shell	Brass C2680, Nickel Plated	G		
				D	Flange Shell	SPCC, Nickel Plated	H		



SPECIFICATION:

1. ELECTRICAL

- 1.1 Current Rating: 0.5A per pin
- 1.2 Voltage Rating: 40V AC
- 1.3 Contact Resistance: 60mΩ
- 1.4 Insulation Resistance: 100MΩ
- 1.5 Dielectric Withstanding Voltage: 500VAC

2. MECHANICAL

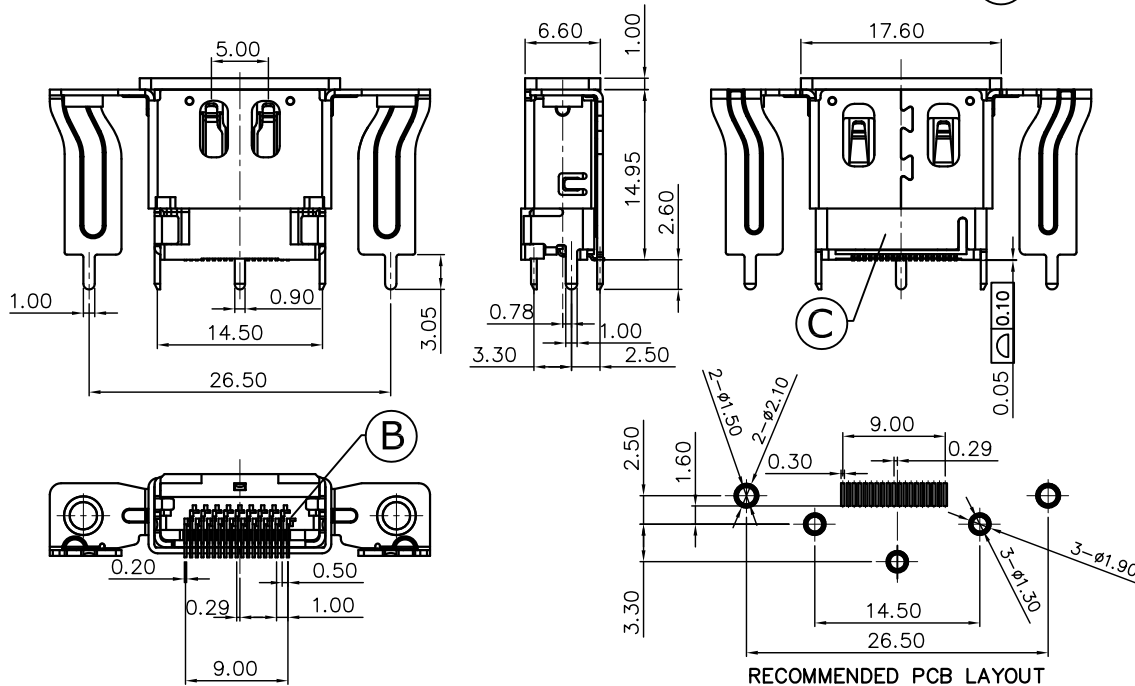
- 2.1 Durability: 10000 Cycle
- 2.2 Insertion Force: 44.1N max.
- 2.3 Extraction Force: 9.8~39.2N.

3. ENVIRONMENTAL

- 3.1 Operating temperature range: -10°C~+60°C
- 3.2 Storage temperature range: -30°C~+70°C

4. SOLDER ABILITY

- 4.1 Recommended IR Reflow Temperature: 260°C
- 4.2 Recommended PCB Thickness: 1.0mm



P1	P2	P3	P4	P5	P6	P7	P8	P9	P10	P11	P12
----	----	----	----	----	----	----	----	----	-----	-----	-----

PIN ASSIGNMENT

206F-SEAN-RA1	HDMI Straight Type Connector, With Flange,15u" Gold Solder Tail:SMD Type, Shell:DIP Type
---------------	--

PRODUCT NO.	DESCRIPTION
-------------	-------------

UNLESS OTHERWISE SPECIFIED TOLERANCE		
ANGLES	ANG.	±5°
LINEAR	0.	±0.3
	0.0	±0.25
	0.00	±0.20
SCALE	AS SHOWN	UNIT: mm



www.attend.com.tw

DRAWN	Willis	2013/05/29
CHECKED	Angel	2013/05/29
APPROVED	Ken	2013/05/29

DRAWN NAME:	
HDMI Straight Type Connector With Flange,Solder Tail:SMD Type, Shell:DIP Type	
PRODUCT NO.	206F-SEAN-RA1

REV.	DESCRIPTION	DATE	REV.	DESCRIPTION	DATE
1			4		

REV.	DESCRIPTION	DATE	REV.	DESCRIPTION	DATE	SIZE	REV.	FILE NAME
1			4			A4	1.0	206F-SEAN-RA1_B_1