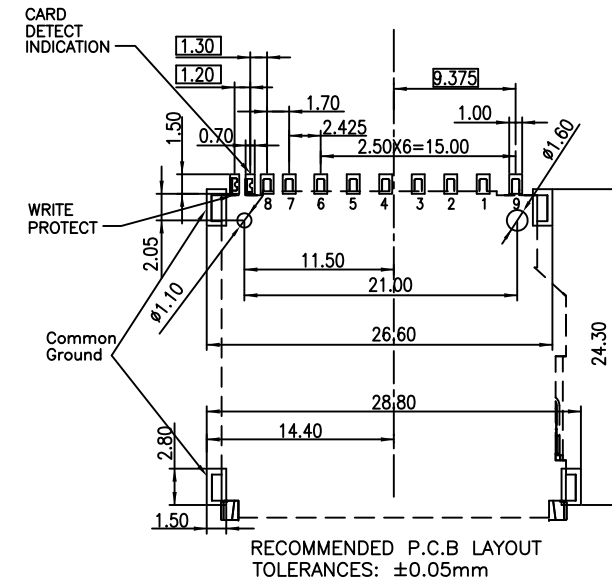


PIN#	NAME
1	CD/DAT3
2	CMD
3	VSS1
4	VDD
5	CLK
6	VSS2
7	DAT0
8	DAT1
9	DAT2

SPECIFICATION
MATERIAL
 Insulator: LCP UL94V-0
 Contacts: Copper Alloy
 Shell: Copper Alloy
CONTACT PLATING
 Underplate: 50u" Nickel
 Contact Area: 15u" Gold Plating
 Solder Tails Area: 100u" Tin(Lead Free)
ELECTRICAL
 Current Rating: 1 Amps Max.
 Contact Resistance: 100 mohms Max.
 Insulation Resistance: 1000 Mohms Min @ 500 VDC
MECHANICAL
 Mating Cycles: 10000 Cycles
 Temperature Range: -25°C To +85°C

PRODUCT NUMBER:
 104C-T A A 0-R
 1 2 3 4

- 1.Type
T:Top Mount
- 2.Contact Plating
A:15u"Gold Plating
- 3.Stand Off
A:0mm
- 4.RoHS



REV.	DESCRIPTION	DATE	REV.	DESCRIPTION	DATE	SIZE	REV.	FILE NAME
1			2			A4	1.0	104C-TAA0-R_B_2
3			4					
5			6					
7			8					
9			10					

UNLESS OTHERWISE SPECIFIED TOLERANCE			 www.attend.com.tw	
ANGLES	ANG.	±5°		
LINEAR	0.	±0.3		
	0.0	±0.25		
	0.00	±0.20		
SCALE	AS SHOWN	UNIT: mm	DRAWN NAME: SD Socket Top Mount Type	
DRAWN	Willis	2012/08/03	PRODUCT NO.	104C-TAA0-R
CHECKED	Angel	2012/08/03	FILE NAME	104C-TAA0-R_B_2
APPROVED	Ken	2012/08/03		