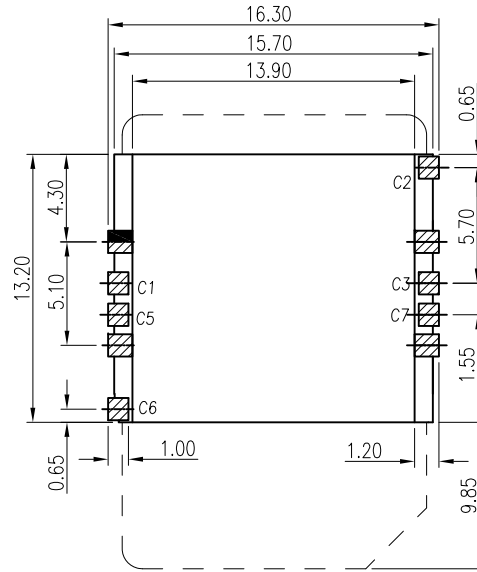
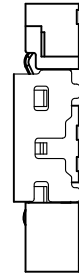
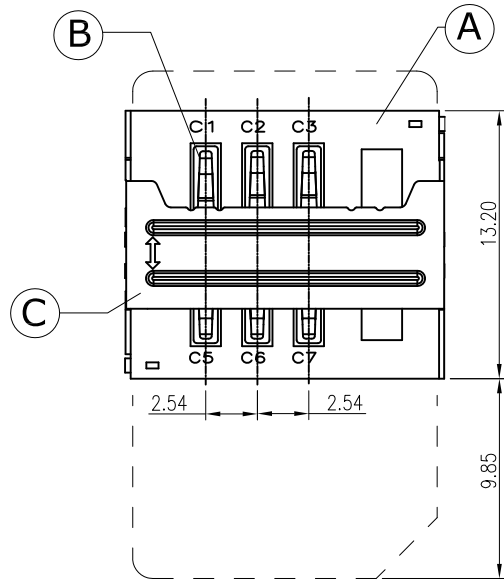
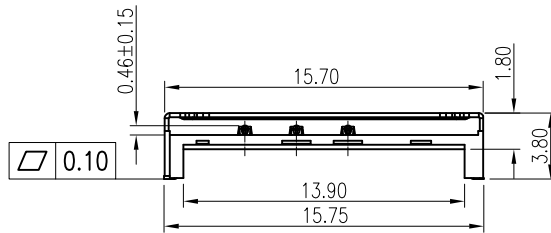


1	2	3	4	5	6	7	8	9	10
SWITCH CIRCUIT			MATERIAL AND FINISH AS BELOW						
WHEN CARD IS EJECTED		WHEN CARD IS INSERTED	A	Housing	LCP UL94V-0 Black	E			
			B	Contact	Phosphor Bronze C5191, 0.15t, Contact Area:3u" Gold,Solder Area:Gold Flash	F			
			C	Shell	Stainless Steel SUS304 0.2t, Nickel Plating	G			
						H			



REFERENCE PCB LAYOUT



SPECIFICATION:

1. ELECTRICAL

- 1.1 Current Rating: 1.0A**
- 1.2 Voltage Rating: 30V AC/DC**
- 1.3 Contact Resistance: 50mΩ**
- 1.4 Insulation Resistance: 1000MΩ**
- 1.5 Dielectric Withstanding Voltage: 500VDC**

2. MECHANICAL

- 2.1 Durability: 10000 Cycle**

3. ENVIRONMENTAL

- 3.1 Operating temperature range: -40°C~+85°C**
- 3.2 Storage temperature range: -40°C~+85°C**

4. SOLDER ABILITY

- 4.1 Recommended IR Reflow Temperature: 260°C**

VCC	RST	CLK	N/A	GND	VPP	I/O	N/A				
C1	C2	C3	C4	C5	C6	C7	C8				

PIN ASSIGNMENT

115K-AB380	SIM Card Socket with Stand off , Contact Area:3u" Gold
PRODUCT NO.	DESCRIPTION

UNLESS OTHERWISE SPECIFIED TOLERANCE		
ANGLES	ANG.	±5°
LINEAR	0.	±0.3
	0.0	±0.25
	0.00	±0.20
SCALE	AS SHOWN	UNIT: mm
DRAWN	Willis	2013/09/24
CHECKED	Angel	2013/09/24
APPROVED	Ken	2013/09/24



www.attend.com.tw

DRAWN NAME:
SIM Card Socket with Stand off

PRODUCT NO. 115K-AB380

REV.	DESCRIPTION	DATE	REV.	DESCRIPTION	DATE
1			4		
2			5		
3			6		
A	Revise:				
	Revise:				
	Revise:				

SIZE	REV.	FILE NAME
A4	1.0	115K-AB380_B_1