

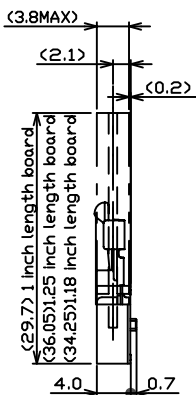
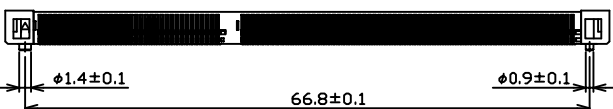
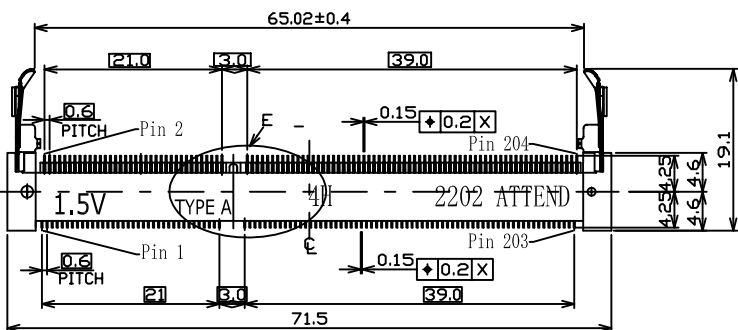
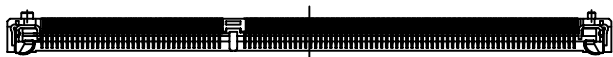
SWITCH CIRCUIT

MATERIAL AND FINISH AS BELOW

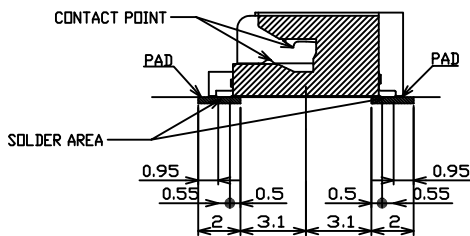
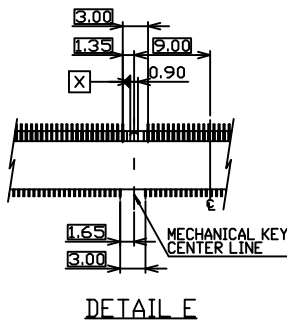
WHEN CARD IS EJECTED

WHEN CARD IS INSERTED

A	Housing	LCP UL94V-0 Black	E	
B	Contact	Phosphor Bronze C5210, Contact Area: Gold Flash	F	
C	Latch	Stainless Steel SUS301	G	
D			H	



NOTES:  
 DATE CODE 2202 (YWWD)  
 Y: 2 YEAR(2012)  
 WW:20 WEEK(01~52)  
 D: 2 DAY(01~07)



**SPECIFICATION:**

**1. ELECTRICAL**

- 1.1 Current Rating: 0.5A per pin
- 1.2 Voltage Rating: 25V AC/DC
- 1.3 Contact Resistance: 60mΩ
- 1.4 Insulation Resistance: 500MΩ
- 1.5 Dielectric Withstanding Voltage: 125VAC

**2. MECHANICAL**

- 2.1 Durability: 25 Cycle
- 2.2 Latch Retention Force: 8 N/Pos. Min

**3. ENVIRONMENTAL**

- 3.1 Operating temperature range: -40°C~+85°C
- 3.2 Storage temperature range: -40°C~+85°C

**4. SOLDER ABILITY**

- 4.1 Recommended IR Reflow Temperature: 255°C 10Sec

P1	P2	P3	P4	P5	P6	P7	P8	P9	P10	P11	P12
----	----	----	----	----	----	----	----	----	-----	-----	-----

PIN ASSIGNMENT

122A-40A00 SO DIMM DDR3 Socket 1.5V 204Pin Type 4.0H, Contact Area: Gold Flash

PRODUCT NO. DESCRIPTION

UNLESS OTHERWISE SPECIFIED TOLERANCE

ANGLES	ANG.	±5°
LINEAR	0.	±0.3
	0.0	±0.25
	0.00	±0.20

SCALE AS SHOWN UNIT: mm

DRAWN	Willis	2012/12/05
CHECKED	Angel	2012/12/05
APPROVED	Ken	2012/12/05



www.attend.com.tw

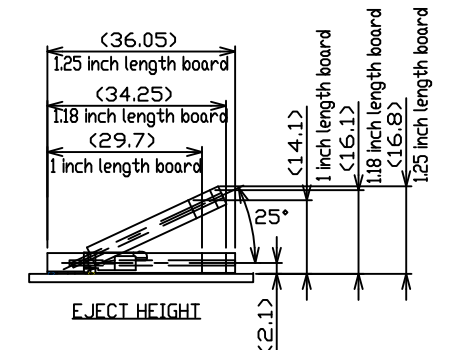
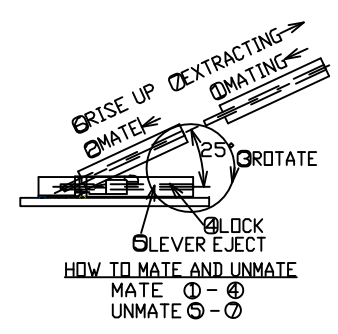
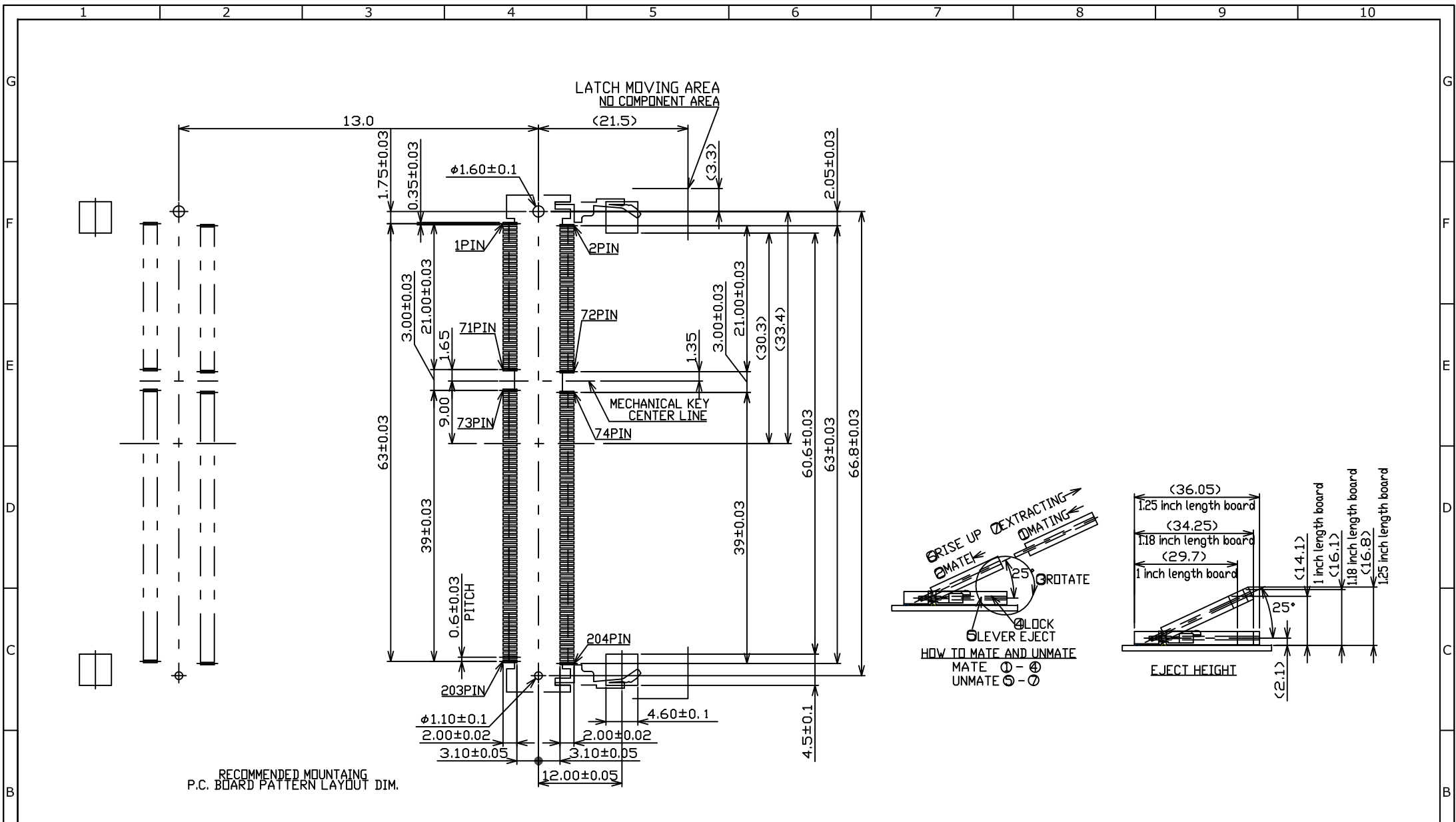
DRAWN NAME:  
SO DIMM DDR3 Socket 1.5V 204Pin 4.0H Type

PRODUCT NO. 122A-40A00

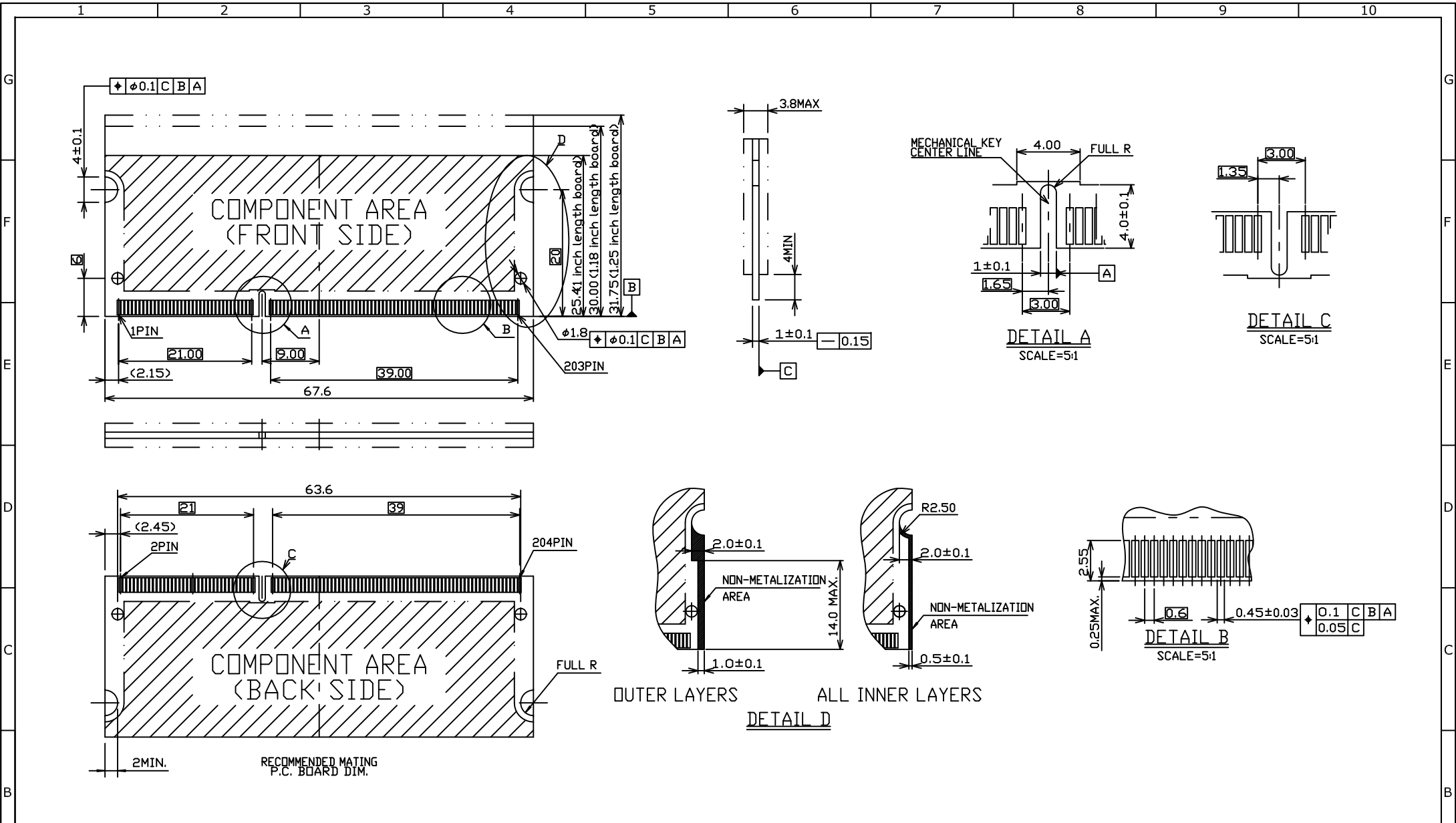
FILE NAME 122A-40A00\_B\_1

△	Revise:		
△	Revise:		
△	Revise:		

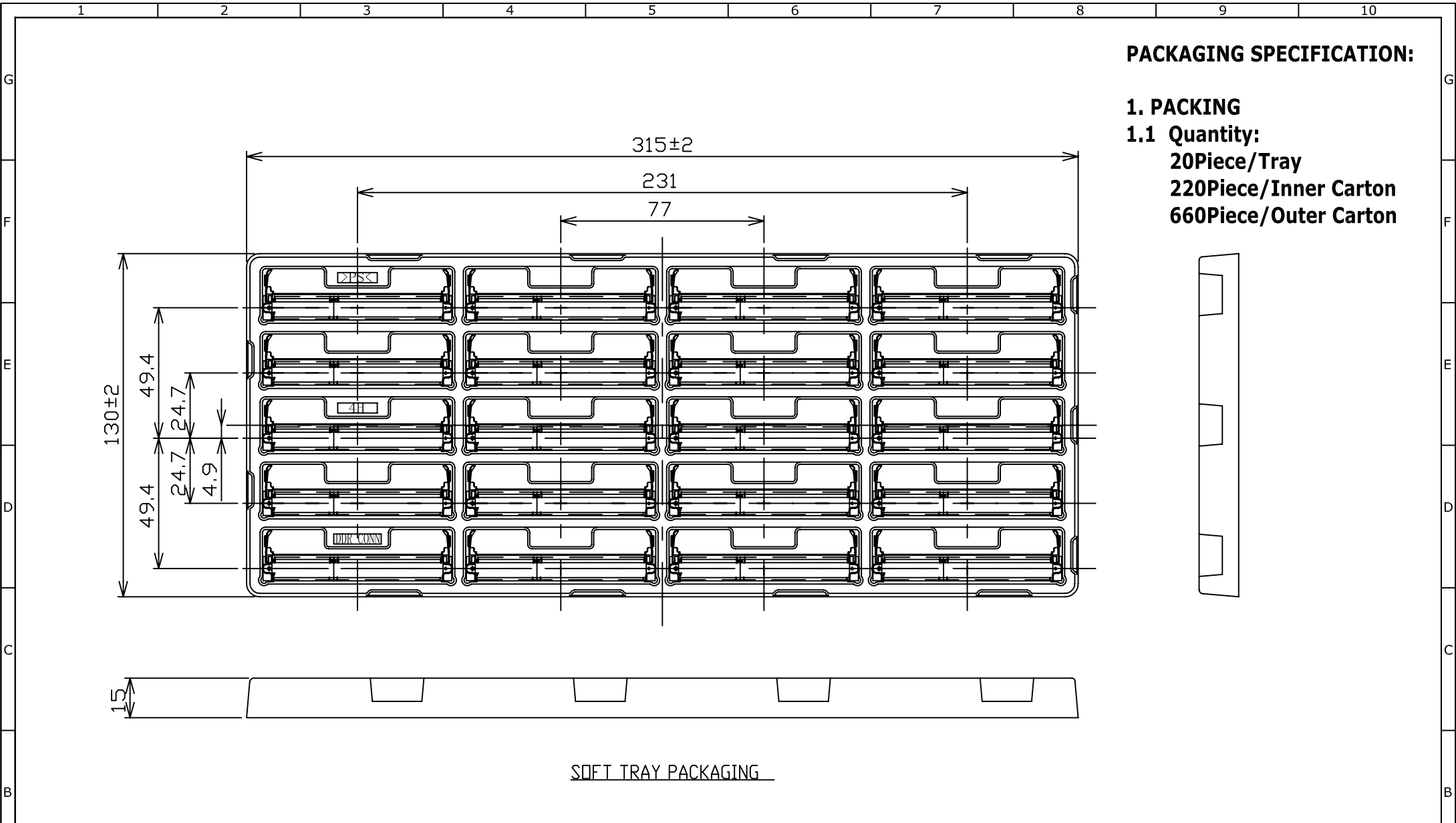
REV.	DESCRIPTION	DATE	REV.	DESCRIPTION	DATE	SIZE	REV.	FILE NAME
1			4			A4	1.0	122A-40A00_B_1



UNLESS OTHERWISE SPECIFIED TOLERANCE				UNLESS OTHERWISE SPECIFIED TOLERANCE		UNLESS OTHERWISE SPECIFIED TOLERANCE				
ANGLES	ANG.	$\pm 5^\circ$	LINEAR	0.0	$\pm 0.3$	SCALE	AS SHOWN			
LINEAR	0.0	$\pm 0.25$	SCALE	AS SHOWN	UNIT: mm	DRAWN	Willis			
LINEAR	0.00	$\pm 0.20$	CHECKED	Angel	2012/12/05	APPROVED	Ken			
REV. 1	2	3	DATE	REV. 4	5	6	7	8	9	10
DRAWN NAME: SO DIMM DDR3 Socket 1.5V 204Pin 4.0H Type				PRODUCT NO. 122A-40A00		FILE NAME 122A-40A00_B_1		www.attend.com.tw		
ATTEND				DRAWN NAME: Willis		CHECKED: Angel		APPROVED: Ken		
REVISIONS				DATE		REV.		SIZE A4		
REV. 1				DATE		REV. 1.0		FILE NAME 122A-40A00_B_1		



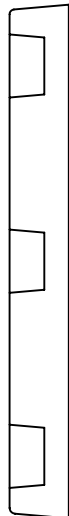
						UNLESS OTHERWISE SPECIFIED TOLERANCE			 www.attend.com.tw	
						ANGLES	ANG.	±5°		
						LINEAR	0.	±0.3		
							0.00	±0.25		
						SCALE	AS SHOWN	UNIT: mm		
						DRAWN	Willis	2012/12/05	DRAWN NAME: SO DIMM DDR3 Socket 1.5V 204Pin 4.0H Type	
						CHECKED	Angel	2012/12/05		
						APPROVED	Ken	2012/12/05		
REV.	DESCRIPTION	DATE	REV.	DESCRIPTION	DATE	 SIZE A4		REV. 1.0	FILE NAME	122A-40A00_B_1



**PACKAGING SPECIFICATION:**

- 1. PACKING**
- 1.1 Quantity:**

  - 20Piece/Tray**
  - 220Piece/Inner Carton**
  - 660Piece/Outer Carton**



SOFT TRAY PACKAGING

						UNLESS OTHERWISE SPECIFIED TOLERANCE			 www.attend.com.tw	
						ANGLES	ANG.	±5°		
						LINEAR	0.	±0.3		
							0.00	±0.25		
						SCALE	AS SHOWN	UNIT: mm	±0.20	
						DRAWN	Willis	2012/12/05	DRAWN NAME:	
						CHECKED	Angel	2012/12/05	SO DIMM DDR3 Socket 1.5V 204Pin 4.0H Type	
						APPROVED	Ken	2012/12/05	PRODUCT NO.	122A-40A00
REV.	DESCRIPTION		DATE	REV.	DESCRIPTION		DATE	SIZE	REV.	FILE NAME
1				4				A4	1.0	122A-40A00_D_1

△ Revise:

△ Revise:

△ Revise:

△

△

△