

SWITCH CIRCUIT

MATERIAL AND FINISH AS BELOW

WHEN CARD IS EJECTED

WHEN CARD IS INSERTED

A	Housing	LCP UL94V-0 Black	E	
B	Contact	Phosphor Bronze C5210, Contact Area: Gold Flash	F	
C	Latch	Stainless Steel SUS301	G	
D			H	



NOTES:
 DATE CODE 2202 (YWWDD)
 Y: 2 YEAR(2012)
 WW:20 WEEK(01~52)
 D: 2 DAY(01~07)

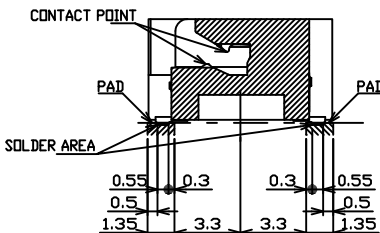
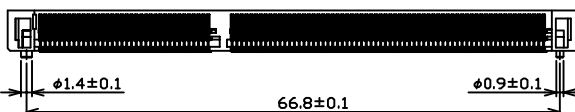
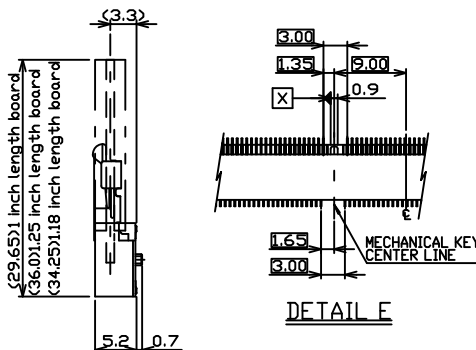
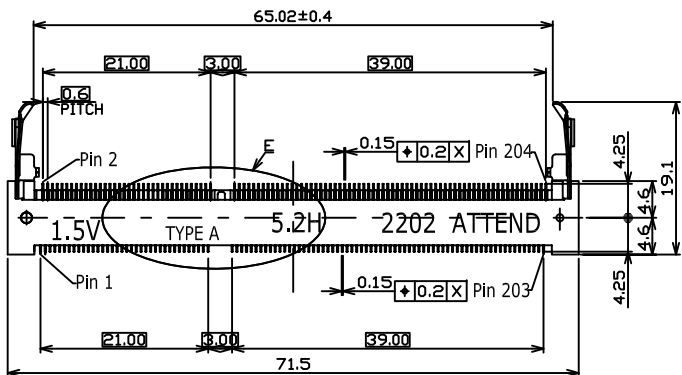
SPECIFICATION:

- ELECTRICAL**
 - Current Rating: 0.5A per pin
 - Voltage Rating: 25V AC/DC
 - Contact Resistance: 60mΩ
 - Insulation Resistance: 500MΩ
 - Dielectric Withstanding Voltage: 125VAC

- MECHANICAL**
 - Durability: 25 Cycle
 - Latch Retention Force: 8 N/Pos. Min

- ENVIRONMENTAL**
 - Operating temperature range: -40°C~+85°C
 - Storage temperature range: -40°C~+85°C

- SOLDER ABILITY**
 - Recommended IR Reflow Temperature: 255°C 10Sec



P1	P2	P3	P4	P5	P6	P7	P8	P9	P10	P11	P12
----	----	----	----	----	----	----	----	----	-----	-----	-----

PIN ASSIGNMENT

122A-52A00 SO DIMM DDR3 Socket 1.5V 204Pin Type 5.2H, Contact Area: Gold Flash

PRODUCT NO. DESCRIPTION

UNLESS OTHERWISE SPECIFIED TOLERANCE

ANGLES	ANG.	±5°
LINEAR	0.	±0.3
	0.0	±0.25
	0.00	±0.20

SCALE AS SHOWN UNIT: mm

DRAWN Willis 2012/12/05

CHECKED Angel 2012/12/05

APPROVED Ken 2012/12/05



www.attend.com.tw

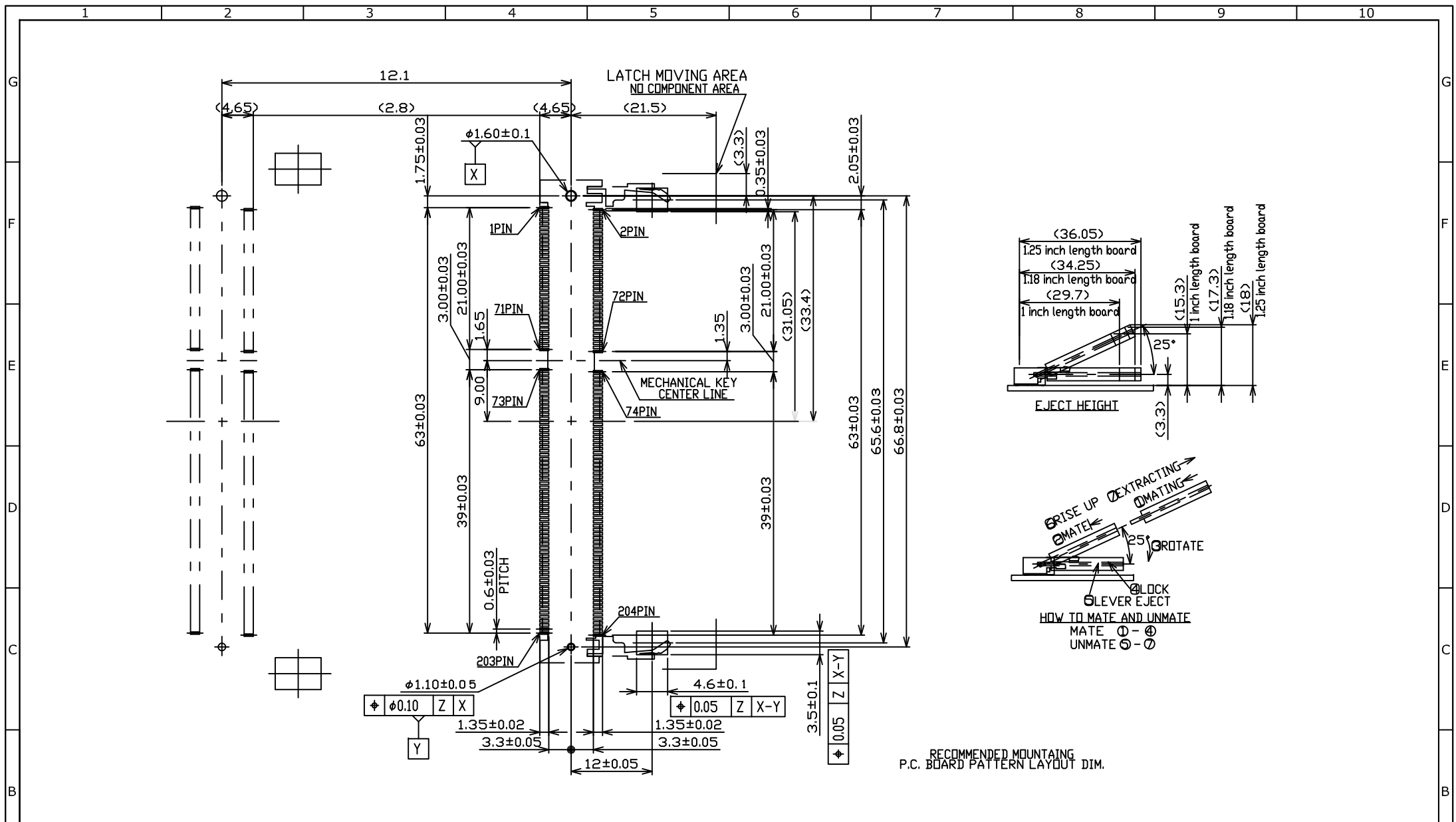
DRAWN NAME: SO DIMM DDR3 Socket 1.5V 204Pin 5.2H Type

PRODUCT NO. 122A-52A00


FILE NAME 122A-52A00_B_1

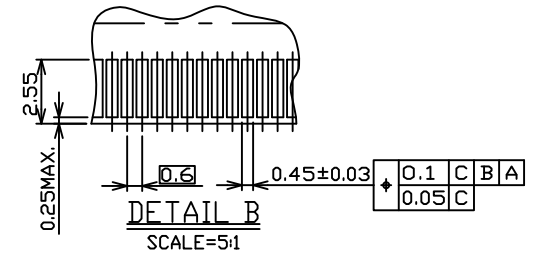
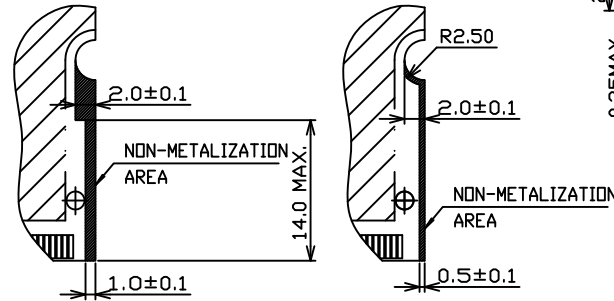
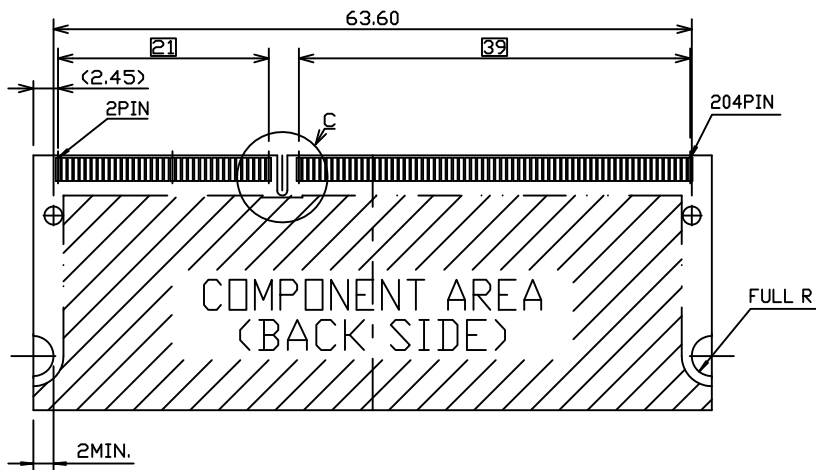
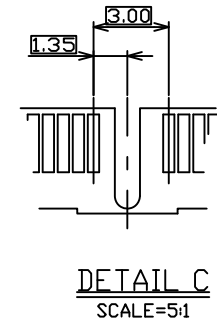
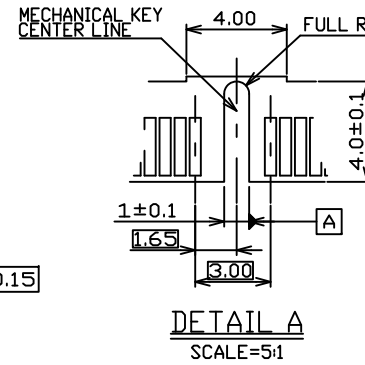
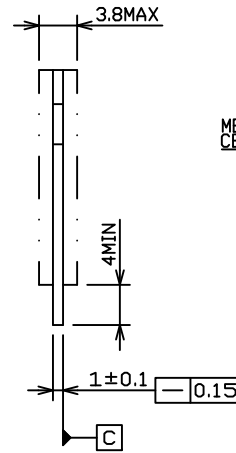
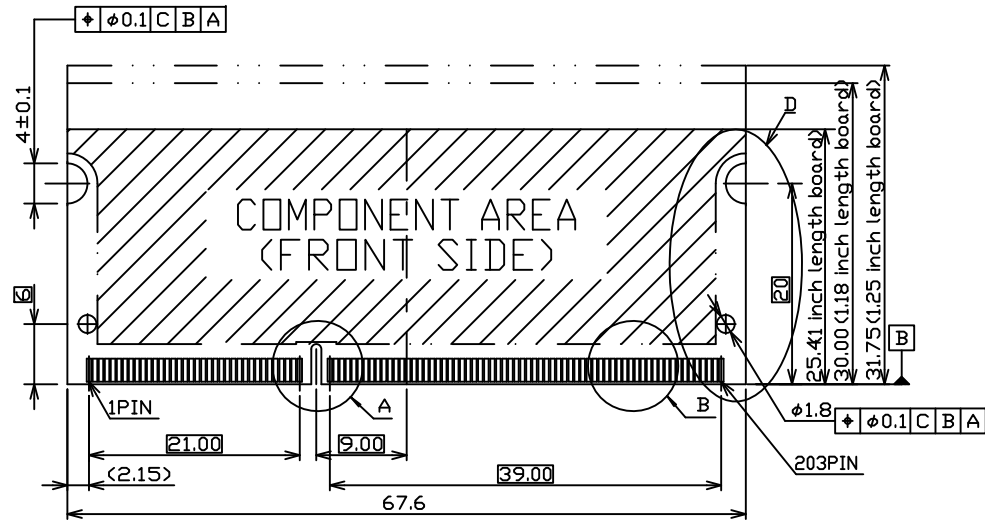
△	Revise:		
△	Revise:		
△	Revise:		

REV.	DESCRIPTION	DATE	REV.	DESCRIPTION	DATE	SIZE	REV.	FILE NAME
1			4			A4	1.0	122A-52A00_B_1



RECOMMENDED MOUNTING
P.C. BOARD PATTERN LAYOUT DIM.

						UNLESS OTHERWISE SPECIFIED TOLERANCE			 www.attend.com.tw	
						ANGLES	ANG.	±5°		
						LINEAR		0.	±0.3	
								0.0	±0.25	
								0.00	±0.20	
						SCALE	AS SHOWN	UNIT: mm		
						DRAWN	Willis	2012/12/05	DRAWN NAME:	
						CHECKED	Angel	2012/12/05	SO DIMM DDR3 Socket 1.5V 204Pin 5.2H Type	
						APPROVED	Ken	2012/12/05	PRODUCT NO.	
									122A-52A00	
REV.	DESCRIPTION	DATE	REV.	DESCRIPTION	DATE	 SIZE A4		REV. 1.0	FILE NAME	
1									122A-52A00_B_1	



RECOMMENDED MATING
P.C. BOARD DIM.

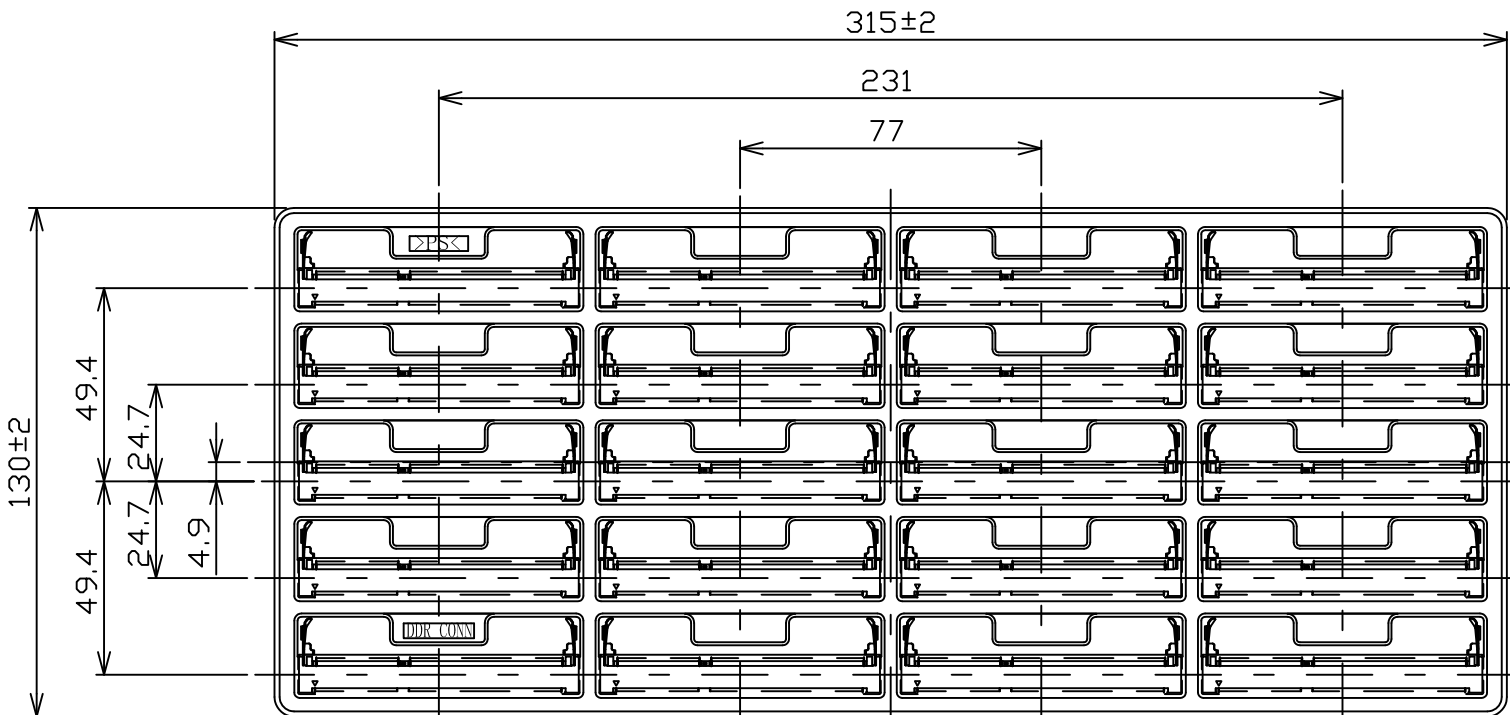
UNLESS OTHERWISE SPECIFIED TOLERANCE		
ANGLES	ANG.	±5°
LINEAR	0.	±0.3
	0.0	±0.25
	0.00	±0.20
SCALE	AS SHOWN	UNIT: mm
DRAWN	Willis	2012/12/05
CHECKED	Angel	2012/12/05
APPROVED	Ken	2012/12/05



www.attend.com.tw

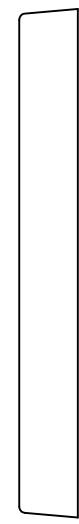
REV.	DESCRIPTION	DATE	REV.	DESCRIPTION	DATE	SIZE	REV.	FILE NAME
1			4			A4	1.0	122A-52A00_B_1

DRAWN NAME:	Willis
SO DIMM DDR3 Socket 1.5V 204Pin 5.2H Type	
PRODUCT NO.	122A-52A00



PACKAGING SPECIFICATION:


- 1. PACKING
- 1.1 Quantity:
 - 20 Piece/Tray
 - △ 200 Piece/Inner Carton
 - △ 600 Piece/Outer Carton



SOFT TRAY PACKAGING

REV.	DESCRIPTION	DATE	REV.	DESCRIPTION	DATE
△	Revise: Package Change	2018/12/28			
△	Initial Release	2012/12/05			

UNLESS OTHERWISE SPECIFIED TOLERANCE		
ANGLES	ANG.	±5°
LINEAR	0.	±0.3
	0.0	±0.25
	0.00	±0.20
SCALE	AS SHOWN	UNIT: mm
DRAWN	Willis	2012/12/05
CHECKED	Angel	2012/12/05
APPROVED	Ken	2012/12/05
SIZE	A4	REV. 1.0



ATTEND

www.attend.com.tw

DRAWN NAME: SO DIMM DDR3 Socket 1.5V 204Pin 5.2H Type

PRODUCT NO. 122A-52A00

FILE NAME 122A-52A00_D_2