

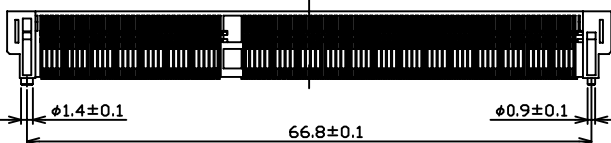
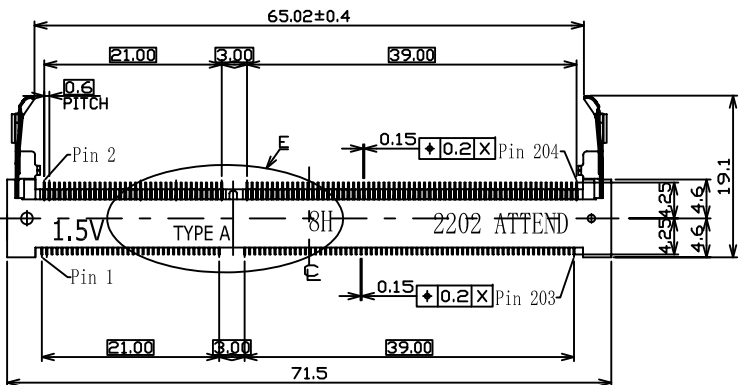
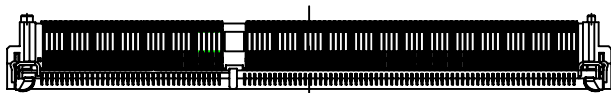
SWITCH CIRCUIT

MATERIAL AND FINISH AS BELOW

WHEN CARD IS EJECTED

WHEN CARD IS INSERTED

A	Housing	LCP UL94V-0 Black	E	
B	Contact	Phosphor Bronze C5210, Contact Area: Gold Flash	F	
C	Latch	Stainless Steel SUS301	G	
D			H	



NOTES:  
 DATE CODE 2202 (YWWDD)  
 Y: 2 YEAR(2012)  
 WW:20 WEEK(01~52)  
 D: 2 DAY(01~07)

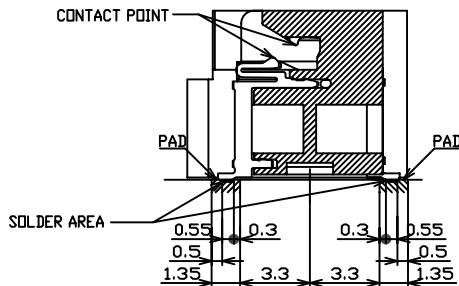
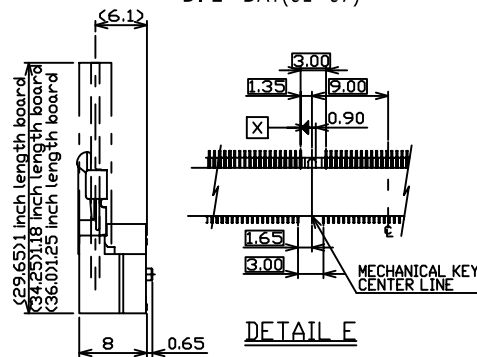
**SPECIFICATION:**

- ELECTRICAL**
  - Current Rating: 0.5A per pin
  - Voltage Rating: 25V AC/DC
  - Contact Resistance: 60mΩ
  - Insulation Resistance: 500MΩ
  - Dielectric Withstanding Voltage: 125VAC

- MECHANICAL**
  - Durability: 25 Cycle
  - Latch Retention Force: 8 N/Pos. Min

- ENVIRONMENTAL**
  - Operating temperature range: -40°C~+85°C
  - Storage temperature range: -40°C~+85°C

- SOLDER ABILITY**
  - Recommended IR Reflow Temperature: 255°C 10Sec



P1	P2	P3	P4	P5	P6	P7	P8	P9	P10	P11	P12
----	----	----	----	----	----	----	----	----	-----	-----	-----

PIN ASSIGNMENT

122A-80A00 SO DIMM DDR3 Socket 1.5V 204Pin Type 8.0H, Contact Area: Gold Flash

PRODUCT NO. DESCRIPTION

UNLESS OTHERWISE SPECIFIED TOLERANCE

ANGLES	ANG.	±5°
LINEAR	0.	±0.3
	0.0	±0.25
SCALE	AS SHOWN	UNIT: mm
DRAWN	Willis	2012/12/05
CHECKED	Angel	2012/12/05
APPROVED	Ken	2012/12/05



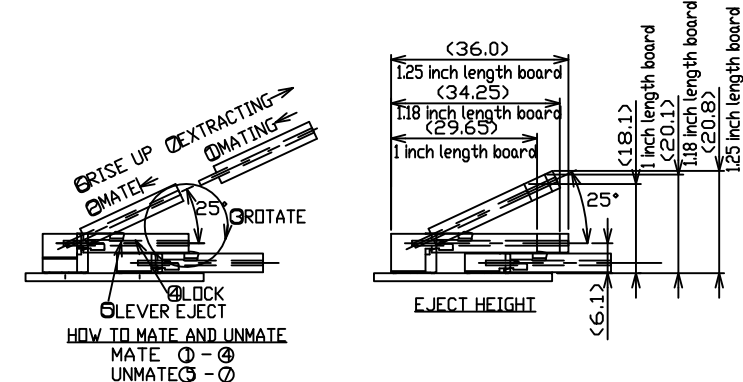
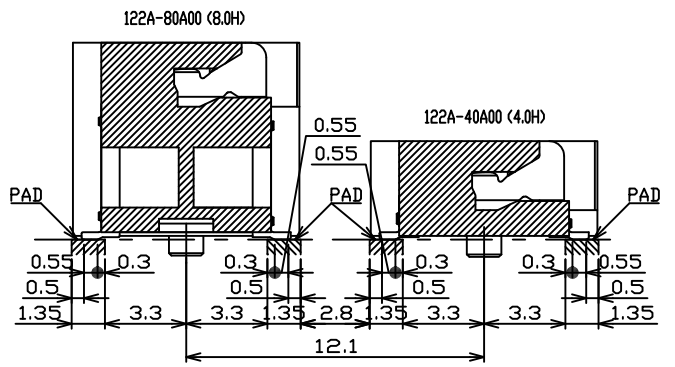
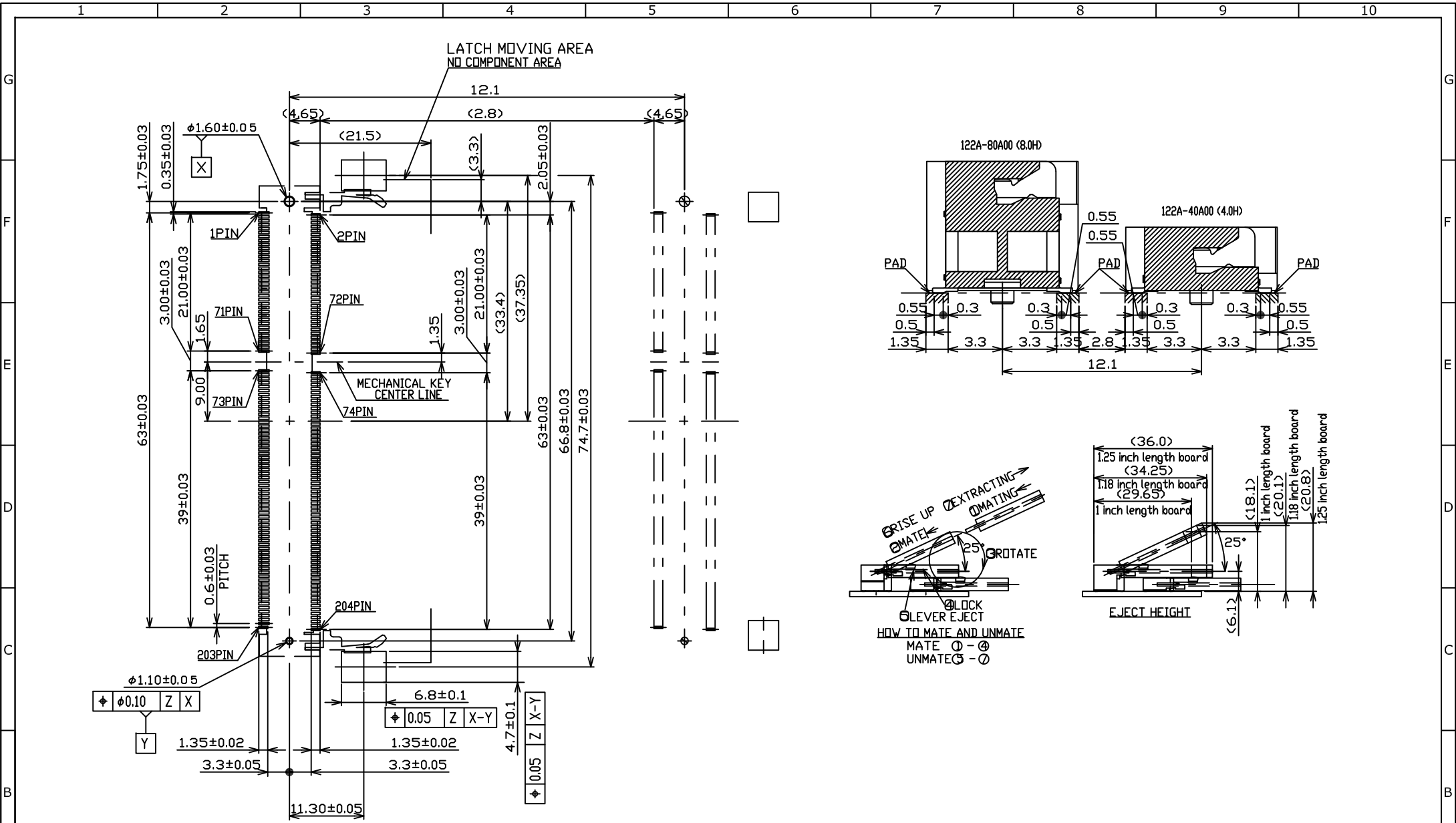
www.attend.com.tw

DRAWN NAME: SO DIMM DDR3 Socket 1.5V 204Pin 8.0H Type

PRODUCT NO. 122A-80A00

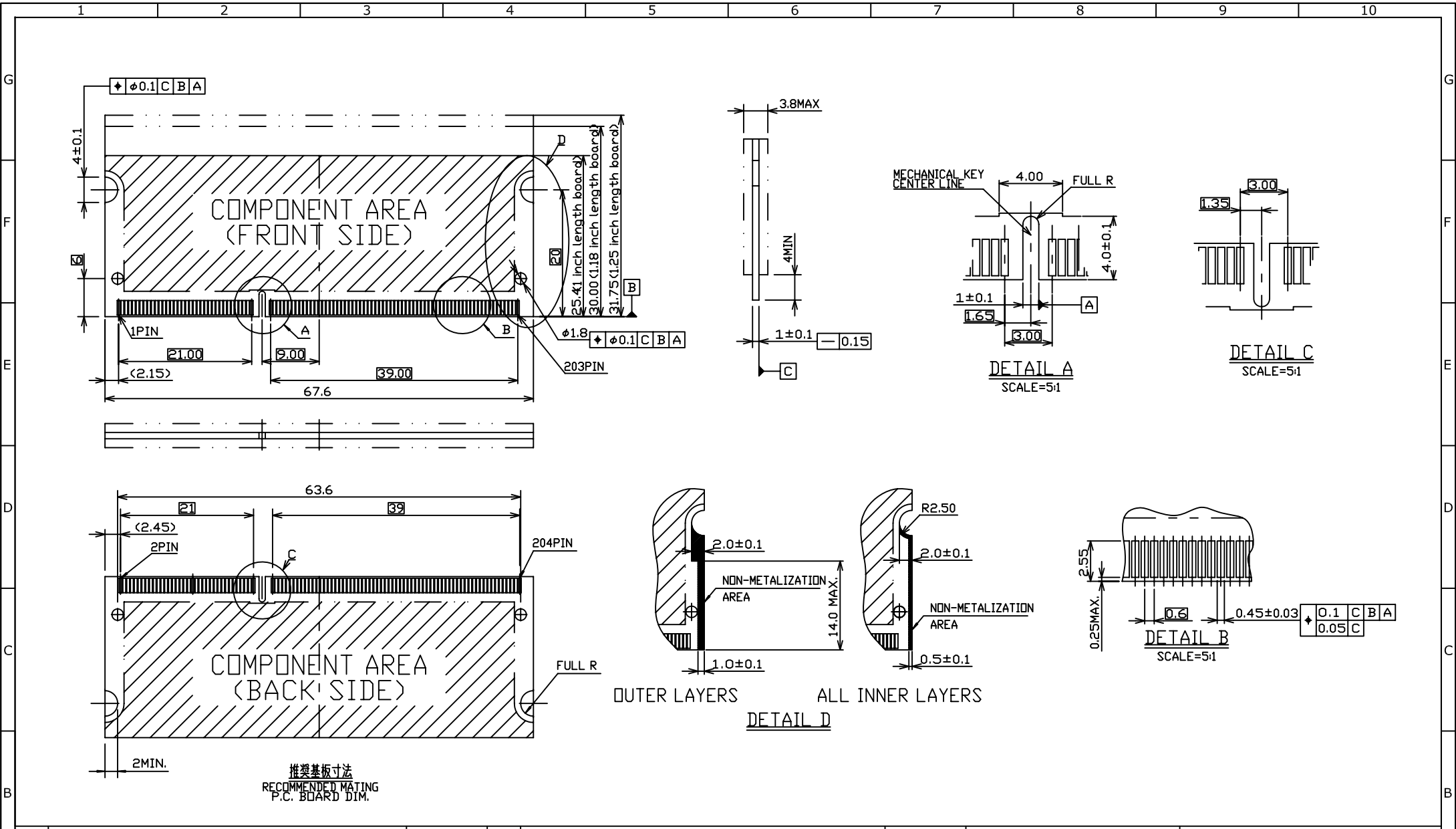
△	Revise:		
△	Revise:		
△	Revise:		

REV.	DESCRIPTION	DATE	REV.	DESCRIPTION	DATE	SIZE	REV.	FILE NAME
1						A4	1.0	122A-80A00_B_1



HOW TO MATE AND UNMATE  
MATE ⓐ - ⓑ  
UNMATE ⓐ - ⓑ

						UNLESS OTHERWISE SPECIFIED TOLERANCE			 www.attend.com.tw	
						ANGLES	ANG.	±5°		
						LINEAR		0.	±0.3	
								0.0	±0.25	
								0.00	±0.20	
						SCALE	AS SHOWN	UNIT: mm		
						DRAWN	Willis	2012/12/05	DRAWN NAME: SO DIMM DDR3 Socket 1.5V 204Pin 8.0H Type	
						CHECKED	Angel	2012/12/05		
						APPROVED	Ken	2012/12/05	PRODUCT NO. 122A-80A00	
REV.	DESCRIPTION			DATE	REV.	DESCRIPTION			DATE	
1					1					
						SIZE	A4	REV. 1.0	FILE NAME 122A-80A00_B_1	



推奨基板寸法  
RECOMMENDED MATING  
P.C. BOARD DIM.

UNLESS OTHERWISE SPECIFIED TOLERANCE		
ANGLES	ANG.	±5°
LINEAR	0.	±0.3
	0.0	±0.25
	0.00	±0.20
SCALE	AS SHOWN	UNIT: mm
DRAWN	Willis	2012/12/05
CHECKED	Angel	2012/12/05
APPROVED	Ken	2012/12/05

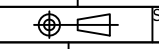


www.attend.com.tw

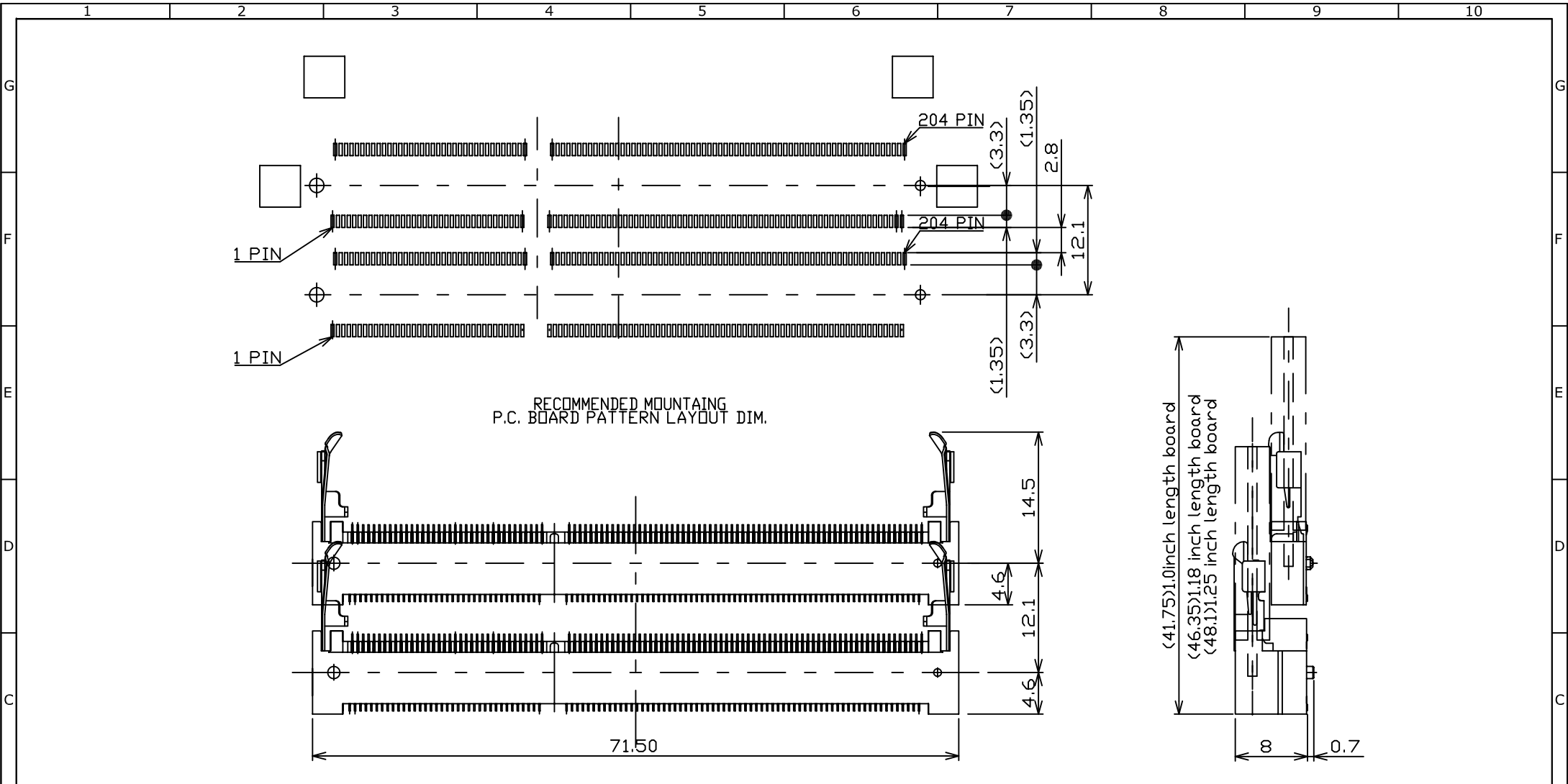
REV.	DESCRIPTION	DATE	REV.	DESCRIPTION	DATE
1			2		
3			4		

DRAWN NAME:		SO DIMM DDR3 Socket 1.5V 204Pin 8.0H Type	
PRODUCT NO.	122A-80A00	FILE NAME	122A-80A00_B_1

△	Revise:	
△	Revise:	
△	Revise:	




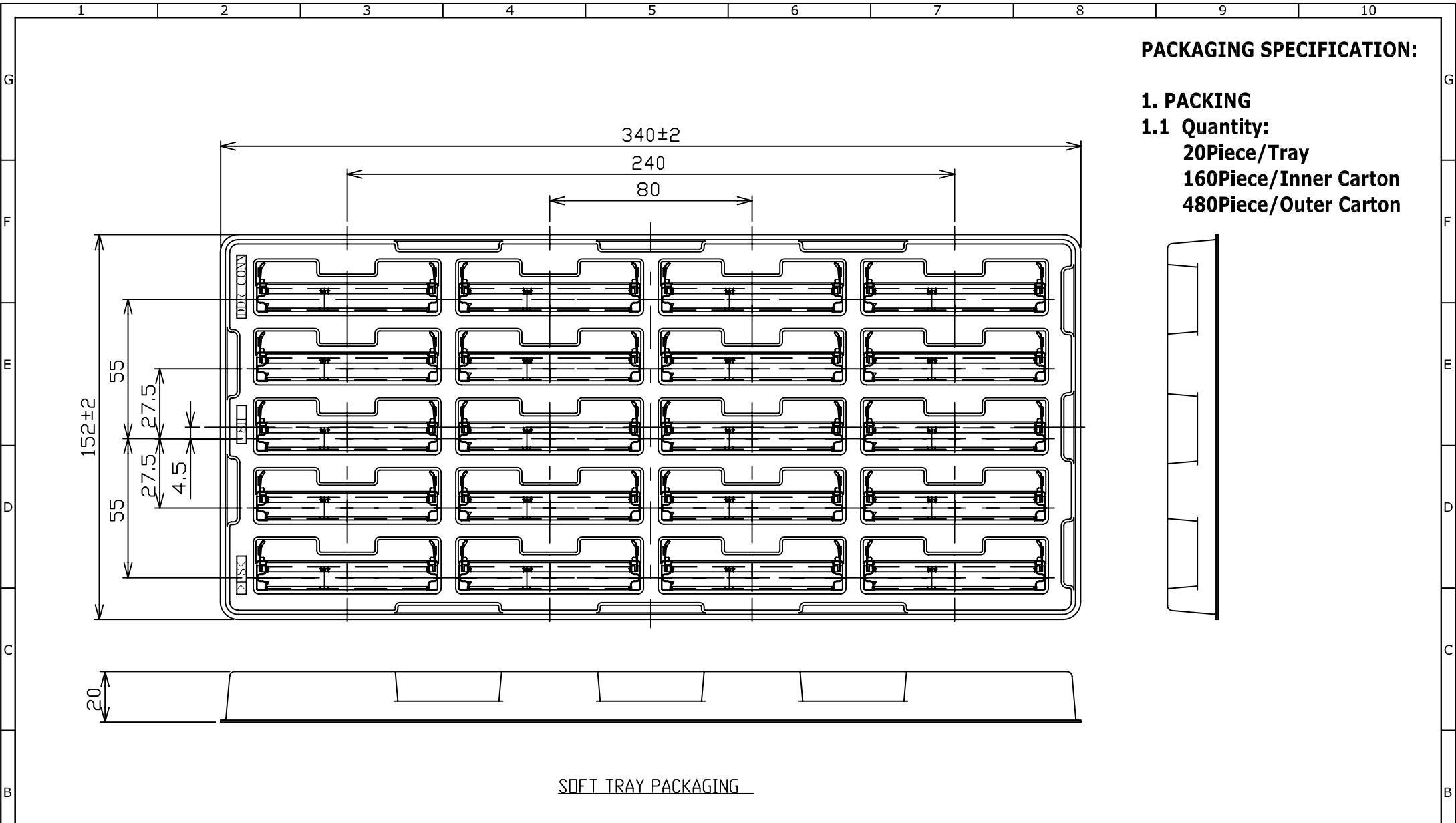
SIZE A4 REV. 1.0



Combination Dimension for H=4.0 connector

(Only the combination of the P/N 122A-40A00(H=4.0) and 122A-80A00(H=8.0) is possible.)

REV.	DESCRIPTION	DATE	REV.	DESCRIPTION	DATE	UNLESS OTHERWISE SPECIFIED TOLERANCE			ATTEND	
						ANGLES	ANG.	±5°	 www.attend.com.tw	
						LINEAR	0.	±0.3		
							0.0	±0.25		
							0.00	±0.20		
						SCALE	AS SHOWN	UNIT: mm		
△	Revise:					DRAWN	Willis	2012/12/05	DRAWN NAME:	
△	Revise:					CHECKED	Angel	2012/12/05	SO DIMM DDR3 Socket 1.5V 204Pin 8.0H Type	
△	Revise:					APPROVED	Ken	2012/12/05	PRODUCT NO.	122A-80A00
								REV. 1.0	FILE NAME	122A-80A00_B_1



**PACKAGING SPECIFICATION:**

- 1. PACKING**
- 1.1 Quantity:**
- 20Piece/Tray**
- 160Piece/Inner Carton**
- 480Piece/Outer Carton**



SOFT TRAY PACKAGING

						UNLESS OTHERWISE SPECIFIED TOLERANCE			 www.attend.com.tw		
						ANGLES	ANG.	±5°			
						LINEAR	0.	±0.3			
							0.00	±0.25			
						SCALE	AS SHOWN	UNIT: mm			
						DRAWN	Willis	2012/12/05	DRAWN NAME:		
						CHECKED	Angel	2012/12/05	SO DIMM DDR3 Socket 1.5V 204Pin 8.0H Type		
						APPROVED	Ken	2012/12/05	PRODUCT NO.	122A-80A00	
REV.	DESCRIPTION	DATE	REV.	DESCRIPTION	DATE	 SIZE A4		REV.	1.0	FILE NAME	122A-80A00_D_1
1			4					9		10	

△ Revise:

△ Revise:

△ Revise:

A

A

A