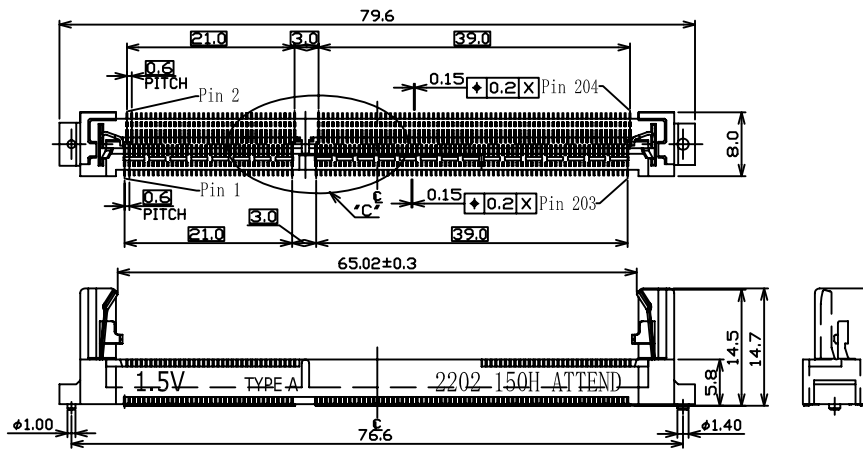
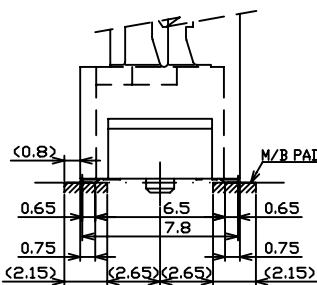
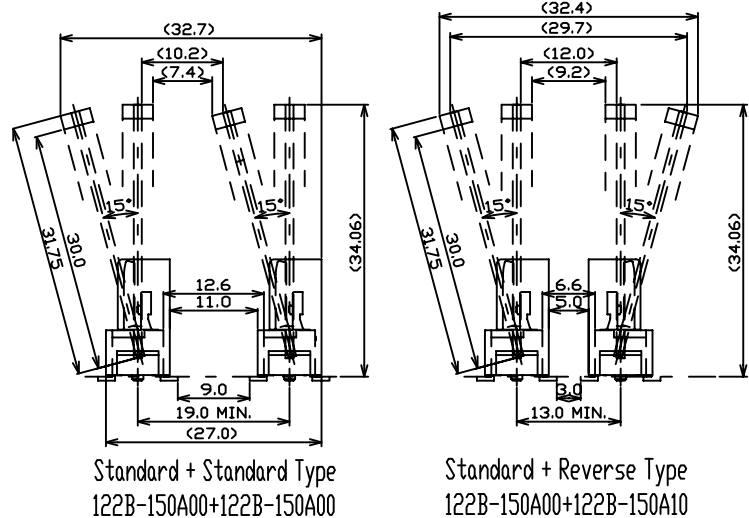
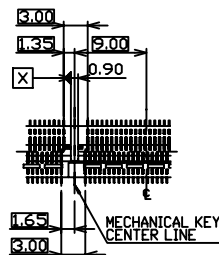


1	2	3	4	5	6	7	8	9	10
SWITCH CIRCUIT			MATERIAL AND FINISH AS BELOW						
WHEN CARD IS EJECTED		WHEN CARD IS INSERTED		A	Housing	LCP UL94V-0 Beige		E	
				B	Contact	Phosphor Bronze C5210, Contact Area: Gold Flash		F	
				C	Latch	Stainless Steel SUS301		G	
				D				H	



NOTES:
 DATE CODE 2202 (YWWD)
 Y: 2 YEAR(2012)
 WW:20 WEEK(01~52)
 D: 2 DAY(01~07)



SPECIFICATION:

1. ELECTRICAL

- 1.1 Current Rating: 0.5A per pin
- 1.2 Voltage Rating: 25V AC/DC
- 1.3 Contact Resistance: 60mΩ
- 1.4 Insulation Resistance: 500MΩ
- 1.5 Dielectric Withstanding Voltage: 125VAC

2. MECHANICAL

- 2.1 Durability: 25 Cycle
- 2.2 Latch Retention Force: 8 N/Pos. Min

3. ENVIRONMENTAL

- 3.1 Operating temperature range: -40°C~+85°C
- 3.2 Storage temperature range: -40°C~+85°C

4. SOLDER ABILITY

- 4.1 Recommended IR Reflow Temperature: 255°C 10Sec

P1	P2	P3	P4	P5	P6	P7	P8	P9	P10	P11	P12
PIN ASSIGNMENT											
122B-150A00			SO DIMM DDR3 Socket 1.5V 204Pin 15.0H Vertical Type , Contact Area: Gold Flash								
PRODUCT NO.			DESCRIPTION								

UNLESS OTHERWISE SPECIFIED TOLERANCE		
ANGLES	ANG.	±5°
LINEAR	0.	±0.3
	0.0	±0.25
	0.00	±0.20
SCALE	AS SHOWN	UNIT: mm
DRAWN	Willis	2012/12/05
CHECKED	Angel	2012/12/05
APPROVED	Ken	2012/12/05



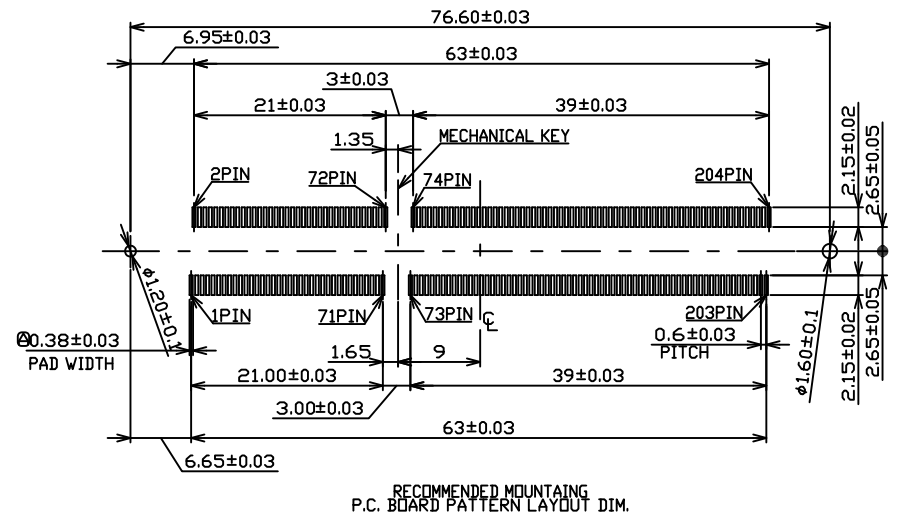
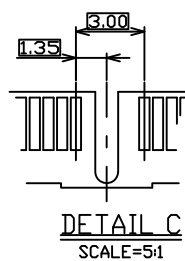
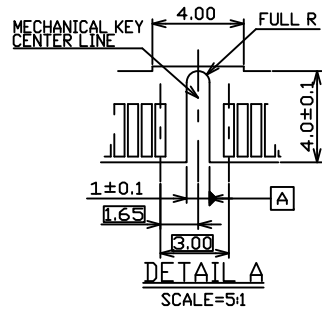
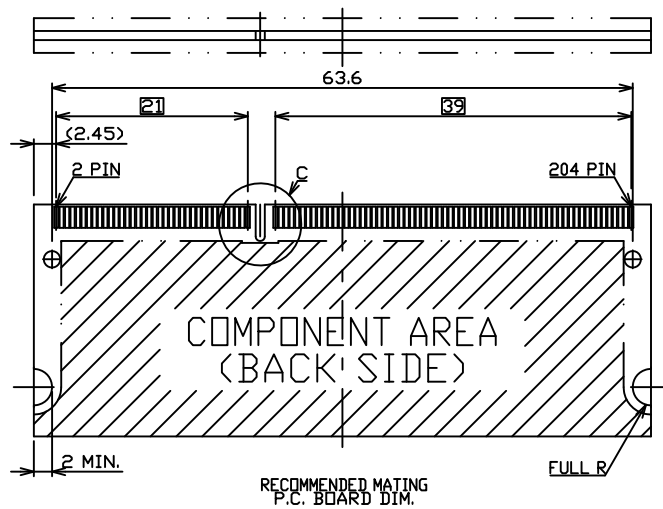
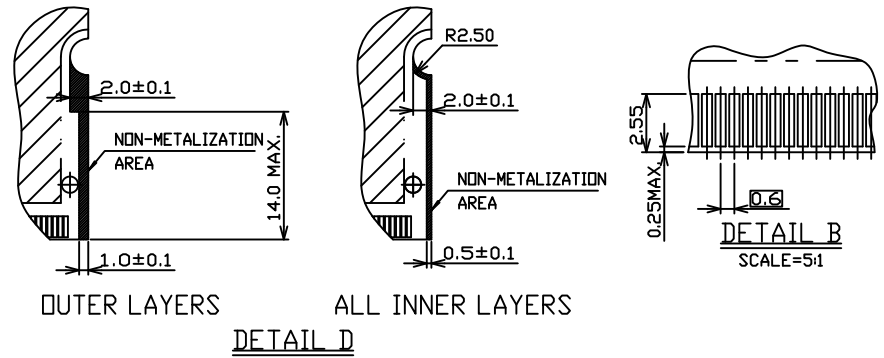
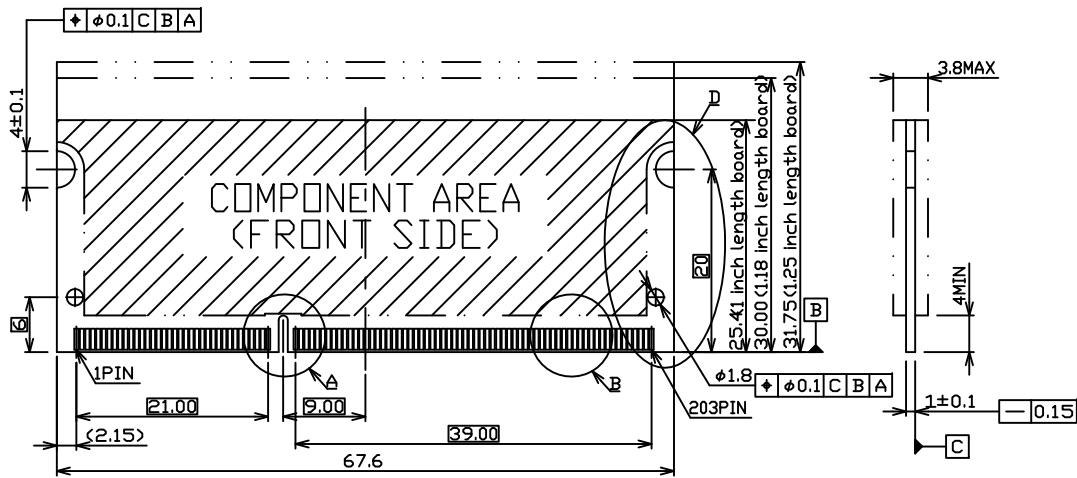
www.attend.com.tw

DRAWN NAME: SO DIMM DDR3 Socket 1.5V 204Pin 15.0H Vertical Type

PRODUCT NO. 122B-150A00

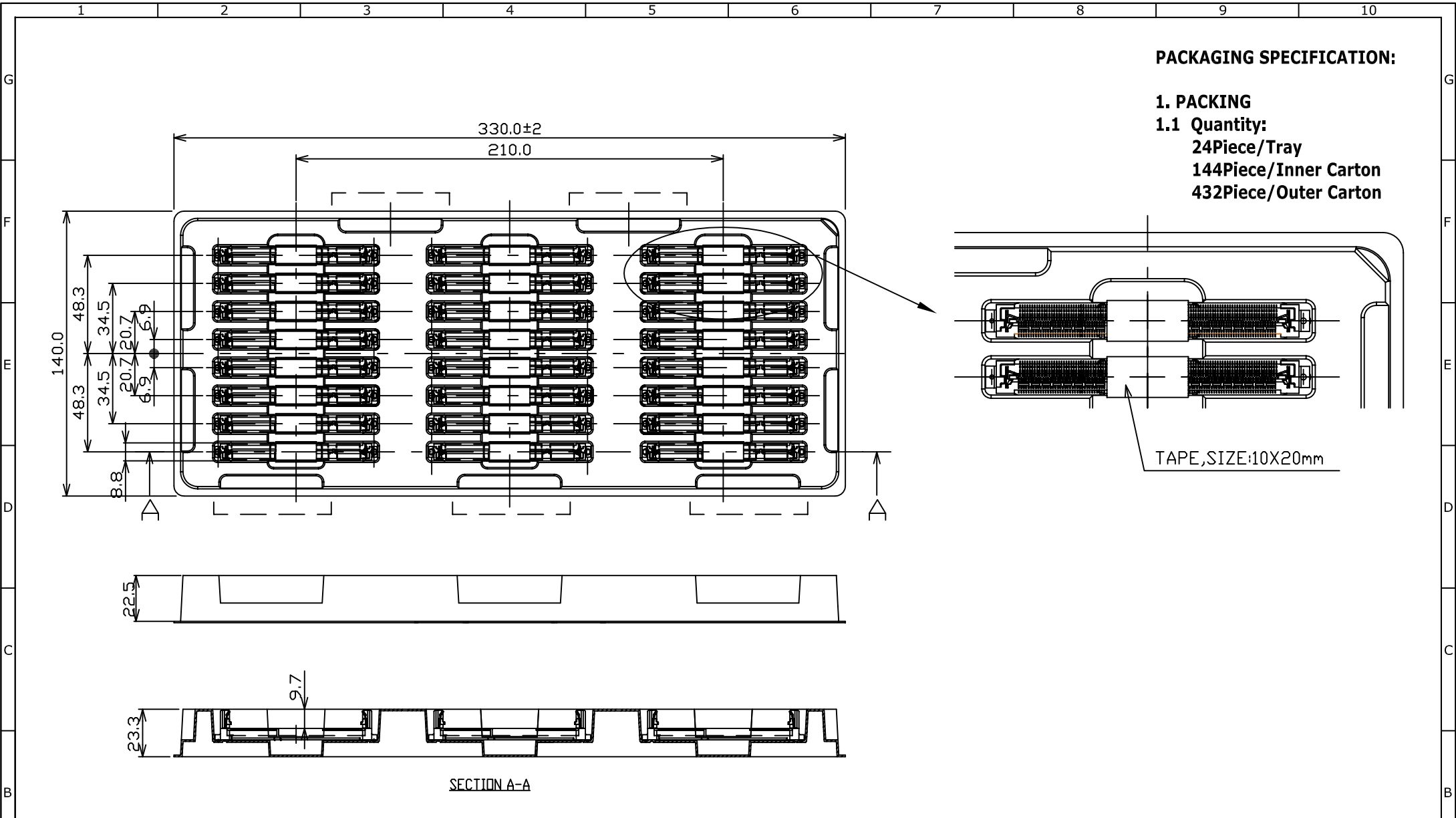
REV.	DESCRIPTION	DATE	REV.	DESCRIPTION	DATE
1			2		
3			4		
5			6		
7			8		
9			10		

△	Revise:				
△	Revise:				
△	Revise:				



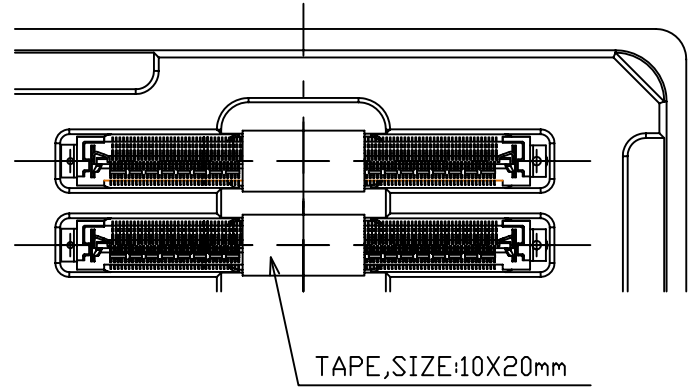
				UNLESS OTHERWISE SPECIFIED TOLERANCE			 www.attend.com.tw		
				ANGLES	ANG.	±5°	DRAWN NAME: SO DIMM DDR3 Socket		
				LINEAR	0.	±0.3	1.5V 204Pin 15.0H Vertical Type		
					0.0	±0.25	DRAWN: Willis 2012/12/05		
					0.00	±0.20	CHECKED: Angel 2012/12/05		
				SCALE	AS SHOWN	UNIT: mm	APPROVED: Ken 2012/12/05		
							PRODUCT NO.	122B-150A00	
							FILE NAME	122B-150A00_B_1	
REV.	DESCRIPTION	DATE	REV.	DESCRIPTION	DATE	SIZE	REV.		
1			4			A4	1.0		

△ Revise:
 △ Revise:
 △ Revise:



PACKAGING SPECIFICATION:

- 1. PACKING**
- 1.1 Quantity:**
- 24Piece/Tray**
- 144Piece/Inner Carton**
- 432Piece/Outer Carton**



SECTION A-A

						UNLESS OTHERWISE SPECIFIED TOLERANCE			 www.attend.com.tw	
						ANGLES	ANG.	±5°		
						LINEAR	0.	±0.3		
							0.00	±0.25		
						SCALE	AS SHOWN	UNIT: mm		
						DRAWN	Willis	2012/12/05	DRAWN NAME:	
						CHECKED	Angel	2012/12/05	SO DIMM DDR3 Socket	
						APPROVED	Ken	2012/12/05	1.5V 204Pin 15.0H Vertical Type	
REV.	DESCRIPTION	DATE	REV.	DESCRIPTION	DATE	 SIZE A4		REV. 1.0	FILE NAME	122B-150A00_D_1
1			4							

△ Revise:

△ Revise:

△ Revise:

REV.

1

DESCRIPTION

DATE

REV.

DESCRIPTION

DATE

SIZE

A4

REV.

1.0

FILE NAME

122B-150A00_D_1

1

2

3

4

5

6

7

8

9

10

G
F
E
D
C
B
A

G
F
E
D
C
B
A