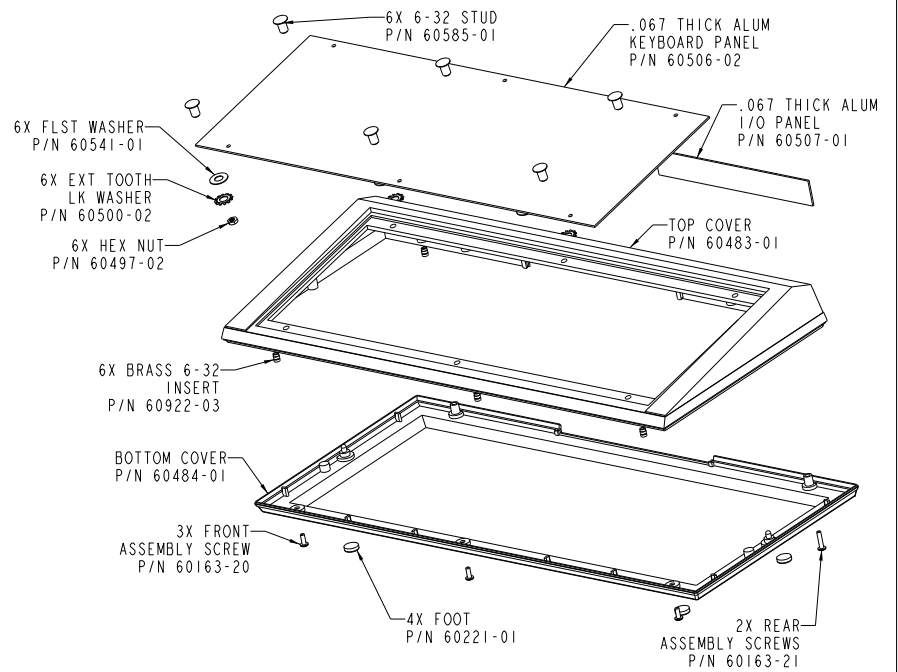
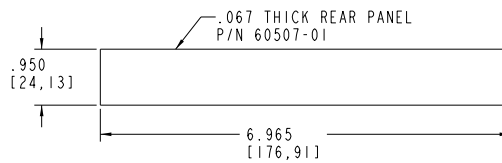
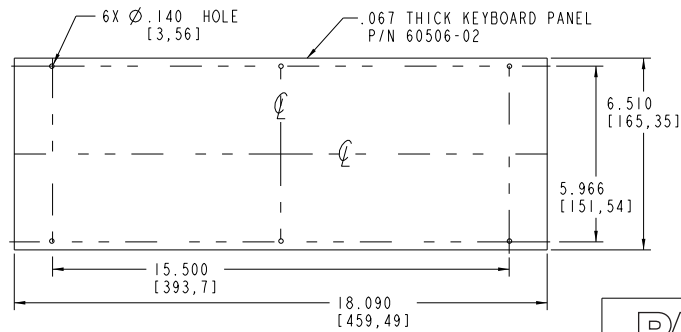
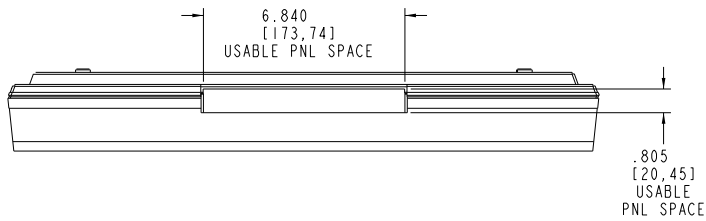
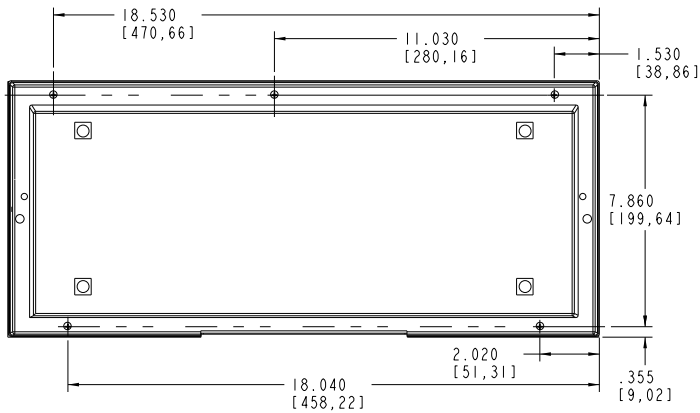
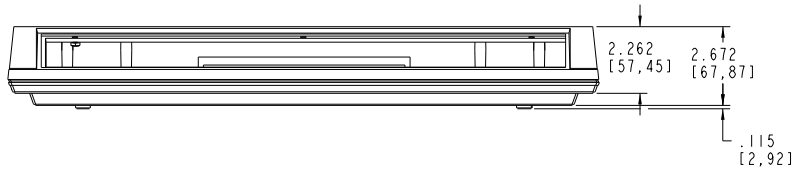


SECTION A-A



**PACINTEC®**  
1-610-361-4200

**KE-20**

VISIT **PACINTEC®**  
ON THE WORLD WIDE WEB  
[www.pacintecenclosures.com](http://www.pacintecenclosures.com)

COLOR / MATERIAL CODE	
COLOR	94HB 94VO
BLACK	000 028
P. C. BONE	039 060

DRAWING NUMBER	REV
79483	a