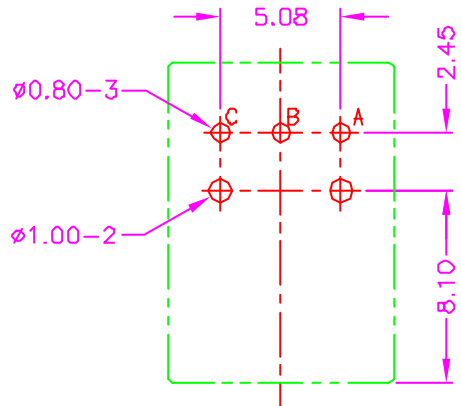
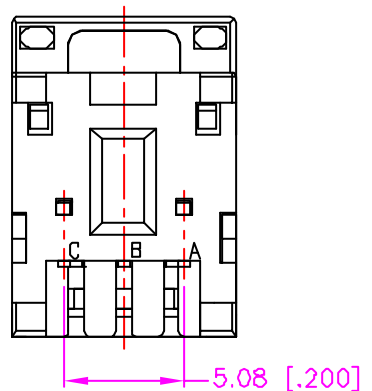
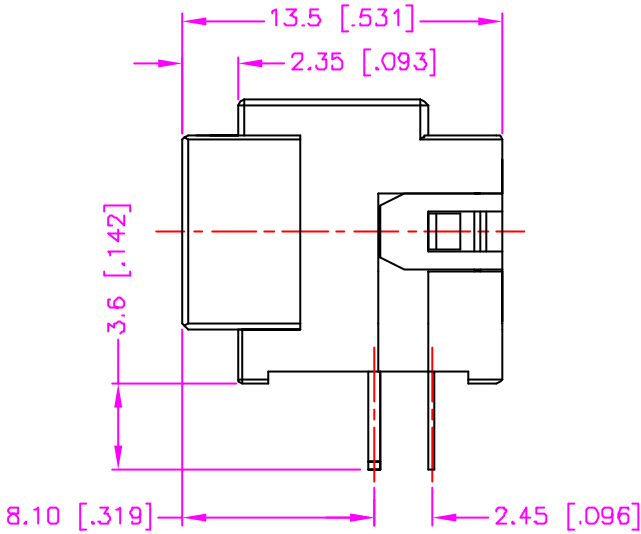
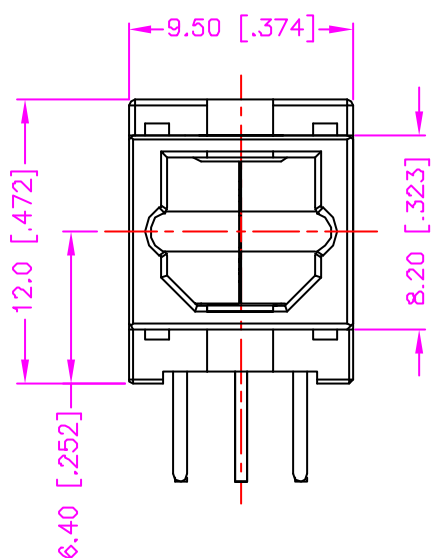


REV.	DESCRIPTION	DATE
—	RELEASE	Nov. 13, 2003
1	DRAW MODIFY	Dec. 08, 2003
2		



RECOMMEND P.C.B. LAYOUT
TOP VIEW

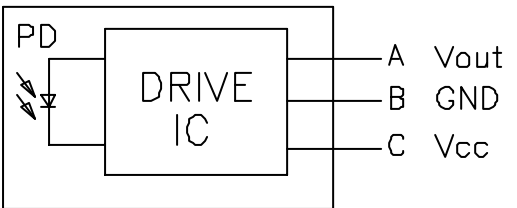
MATERIALS

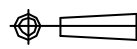
1. HOUSING : POLYESTER (UL 94V-0), BLACK.
2. COVER : POLYESTER (UL 94V-0), BLACK.
3. FRAME : POLYAMIDE (UL 94V-0), BLACK.
4. GATE : POLYAMIDE (UL 94V-0), PANTONE PINK 701C.
5. SUPPORT : BRASS, TIN PLATING.
6. COIL SPRING : STAINLESS STEEL.
7. DRIVE IC : COPPER ALLOY, TIN PLATING.

ORDER INFORMATION :

58 - 01 02 - 01

SERIES CODE ————— TYPE 01
RECEIVER TYPE —————



TOLERANCE .0=±0.30 [.012] .00=±0.20 [.008] .000=±.xxx .0000=±. ANG.=±3°	DRAWER <i>Katherlin</i>	Astron ASTRON TECHNOLOGY CORP.
	CHECK <i>SUB</i>	
 UNITS : mm [inch]	APP'D <i>LFON</i>	DRAW NO. C758-0102
	PRODUCT SPEC. —	REV. B
SCALE NONE	SIZE A4	SHEET 1 OF 1
		REV. B
		D8005