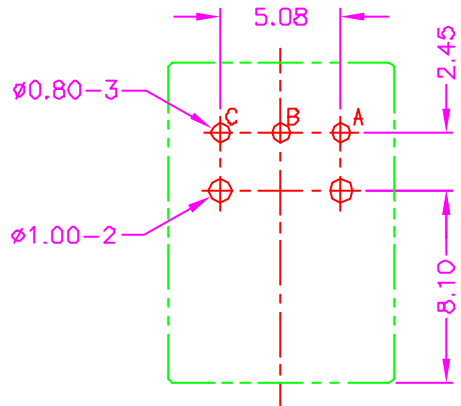
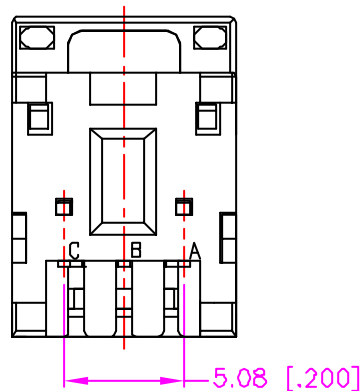
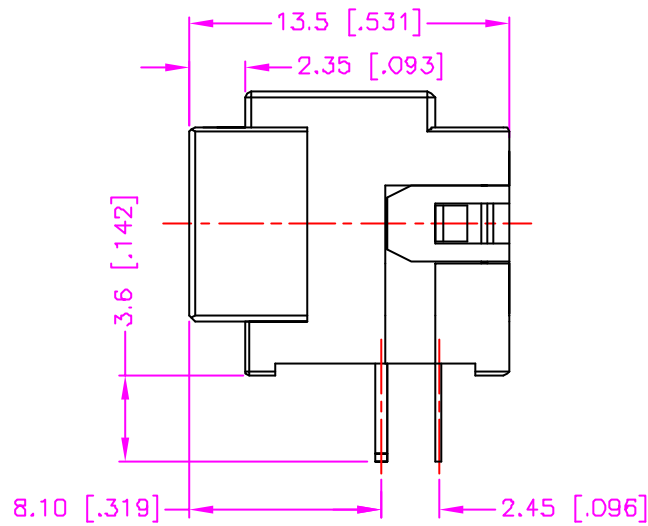
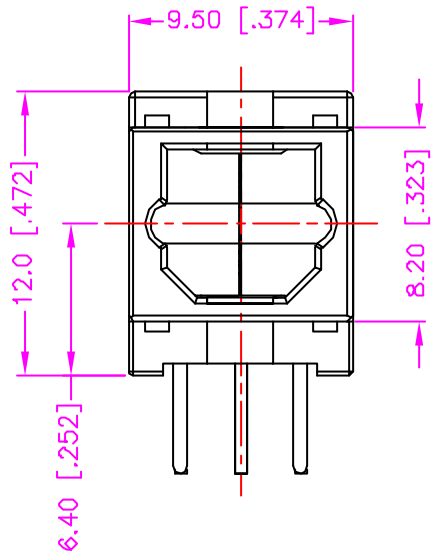
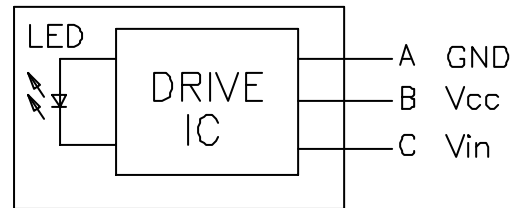


REV.	DESCRIPTION	DATE
—	RELEASE	Nov. 11, 2003
1	DRAW MODIFY	Dec. 08, 2003
2		



RECOMMEND P.C.B. LAYOUT
TOP VIEW



MATERIALS

1. HOUSING : POLYESTER (UL 94V-0), BLACK.
2. COVER : POLYESTER (UL 94V-0), BLACK.
3. FRAME : POLYAMIDE (UL 94V-0), BLACK.
4. GATE : POLYAMIDE (UL 94V-0), PANTONE GREEN 577C.
5. SUPPORT : BRASS, TIN PLATING.
6. COIL SPRING : STAINLESS STEEL.
7. DRIVE IC : COPPER ALLOY, TIN PLATING.

ORDER INFORMATION :

58 - 01 01 - 01

SERIES CODE — TYPE 01
TRANSMITTER TYPE

TOLERANCE .0=±0.30 [.012] .00=±0.20 [.008] .000=±.xxx .0000=±. ANG.=±3°	DRAWER <i>Katherlin</i>	Astron ASTRON TECHNOLOGY CORP. NAME FIBER OPTICS CONNECTOR TRANSMITTER TYPE
	CHECK <i>SUB</i>	
	PRODUCT SPEC. —	DRAW NO. C758-0101
UNITS : mm [inch]	SCALE NONE SIZE A4	SHEET 1 OF 1 REV. B
		DRAW NO. 08005