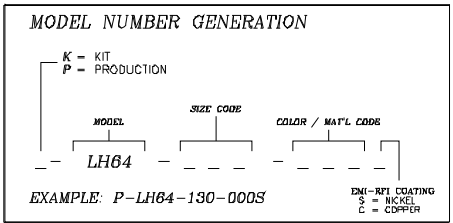


FOR ENGINEERING DRAWING SEE SIDE 2

*SUPPLIED WITH KIT ONLY

MODEL	① TOP COVER	② BOTTOM COVER	* ③ PANEL BLANK	④ FEET	⑤ SCREW
LH64-130	71572-D1	71573-D1	71884-02	60221-D1	60227-06
LH64-200	71572-D1	72283-D1	71884-06	60221-D1	60227-11

71911-00 REV C 4/96

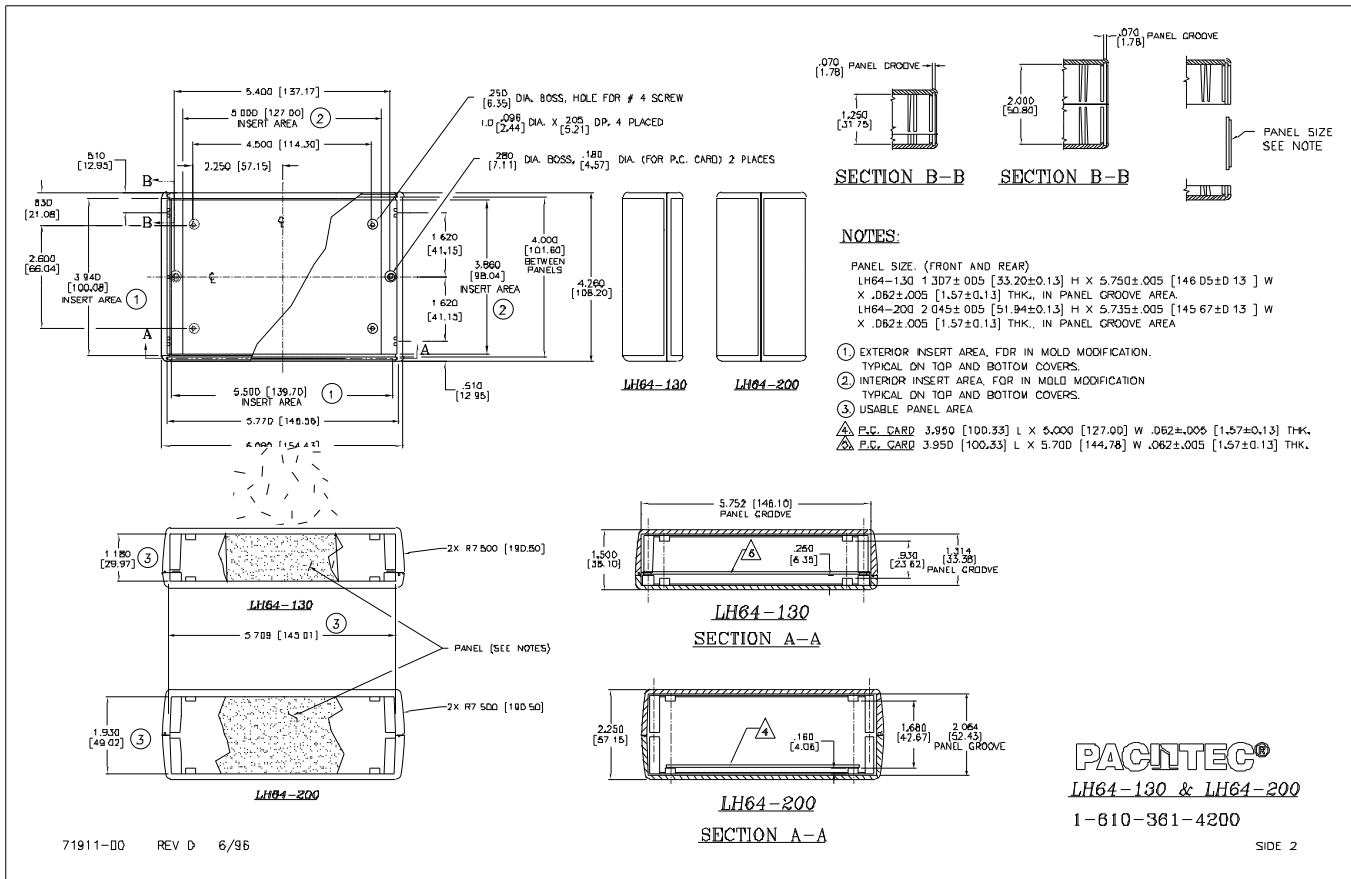


COLOR / MAT'L CODE		
COLOR	94HB	94VO
BLACK	000	02B
*GREY	001	024
*TAN	002	025
P.C.BONE	039	060

*SEE FACTORY FOR AVAILABILITY

PACNTEC®
LH64-130 & LH64-200
1.610-361-4200

SIDE 1



NOTES:

- PANEL SIZE: (FRONT AND REAR)
 LH64-130 1.307±.005 [33.20±0.13] H X 5.750±.005 [146.05±0.13] W X .062±.005 [1.57±0.13] THK., IN PANEL GROOVE AREA.
 LH64-200 2.045±.005 [51.94±0.13] H X 5.735±.005 [145.67±0.13] W X .062±.005 [1.57±0.13] THK., IN PANEL GROOVE AREA.
- EXTERIOR INSERT AREA, FOR IN MOLD MODIFICATION. TYPICAL ON TOP AND BOTTOM COVERS.
 - INTERIOR INSERT AREA, FOR IN MOLD MODIFICATION. TYPICAL ON TOP AND BOTTOM COVERS.
 - USABLE PANEL AREA
- △ P.C. CARD 3.950 [100.33] L X 5.000 [127.00] W .062±.005 [1.57±0.13] THK.
 △ P.C. CARD 3.950 [100.33] L X 5.700 [144.78] W .062±.005 [1.57±0.13] THK.

71911-00 REV D 6/96

PACNTEC®
LH64-130 & LH64-200
1-610-361-4200

SIDE 2