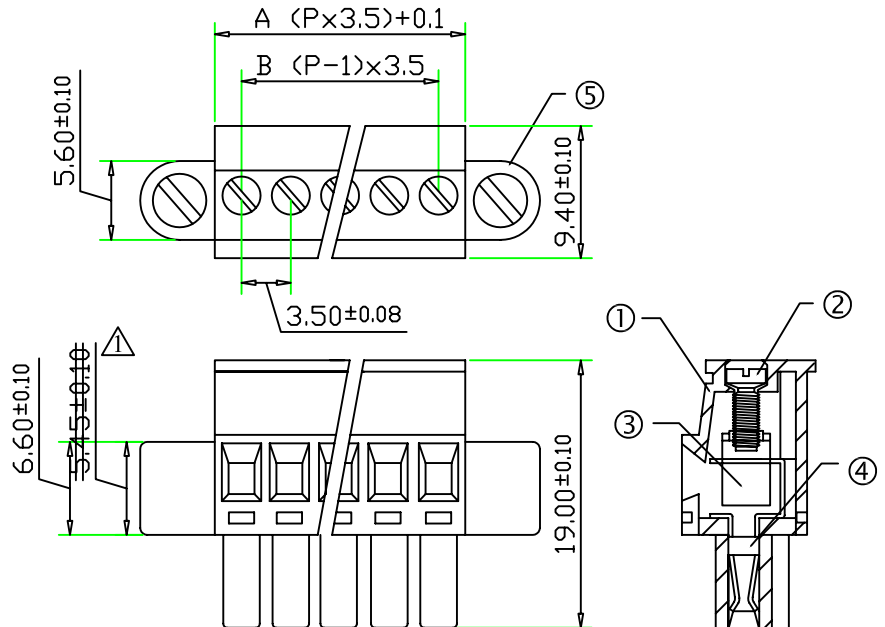


**HOWDER****Pluggable type terminal block**

Part Number:

HD-516ME-P

— Pole Size 2~24P

SPECIFICATIONS

- ① Housing Material: Polyamide 66(UL94V-0), Green
- ② Screw: M2.0 Yellow Zinc Plated Steel
- ③ Wire Clamp: Nickel Plated Brass
- ④ Contact: Nickel Plated Phosphorus Bronze
- ⑤ Screw: M2.5 Yellow Zinc Plated Steel

Screws Torque: 1 In-Lb

Wire Range: 16~28 AWG

Rated: 8 Amperes.AC300V

Operation Temperature: $-55^{\circ}\text{C} \sim +115^{\circ}\text{C}$

Insulation withstands volt: AC2000V min

Insulation resistance: $>1000\text{M}\Omega$ or more at DC500V