



DC-AC INVERTER TRANSFORMER

UI9.8

FEATURES


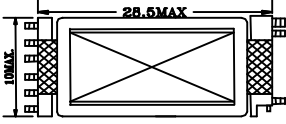
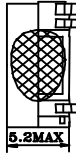
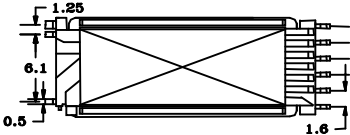
- I Particularly suitable for LCD backlight drive in many applications.
- I Slim and low profile.

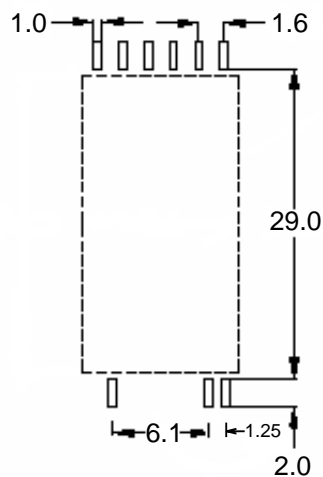
APPLICATIONS

- I Cold cathode fluorescence lamp drive in many applications, LCD TV, notepad, portable DVD, etc.

SPECIFICATIONS

1. Operational frequency --- according to the frequency of your cold cathode fluorescence lamp
2. Max. operating power
3. Strike voltage

Model	Specification	Dimension (mm)		
UI9.8 	Max. output power: 4W Max. strike voltage: 1800Vac Input Voltage :5(Vdc) Suitable Frequency: 150Max(kHz)			



Recommended Pads