

SMD terminal block with push-buttons in tape-and-reel packing; 1-pole; Pin spacing 4 mm / 0.157 in

Item No.: 2060-401/998-404



SMD terminal block with push-buttons in tape-and-reel packing; 1-pole; Pin spacing 4 mm / 0.157 in

Marking

RoHS ✓
Compliant

Business data

Supplier	WAGO
Item no.	2060-401/998-404
GTIN / EAN	4050821419440
Content	1
Order amount	1,500
Customer item number	

Notes

SMD terminal blocks with CAGE CLAMP® S and push-buttons Height of just 4.5 mm minimizes on-board LED shadowing Available in tape-and-reel packaging for automated assembly

Technical data

Miscellaneous

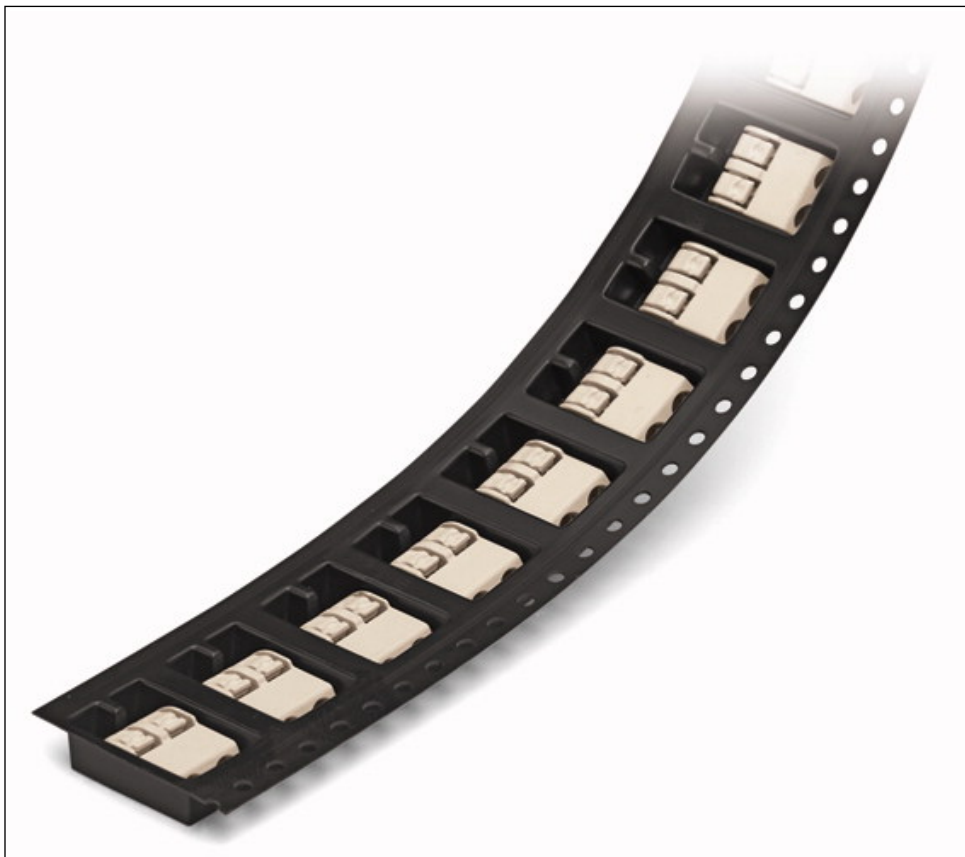
No. of Poles	1
Total number of connection points	1
Total number of potentials	1
Color	light gray
Ratings according to 1	IEC/EN 60664-1
Overvoltage category EN 1	III
Pollution degree (1)	2
Rated voltage EN (1) [V]	160 [V]

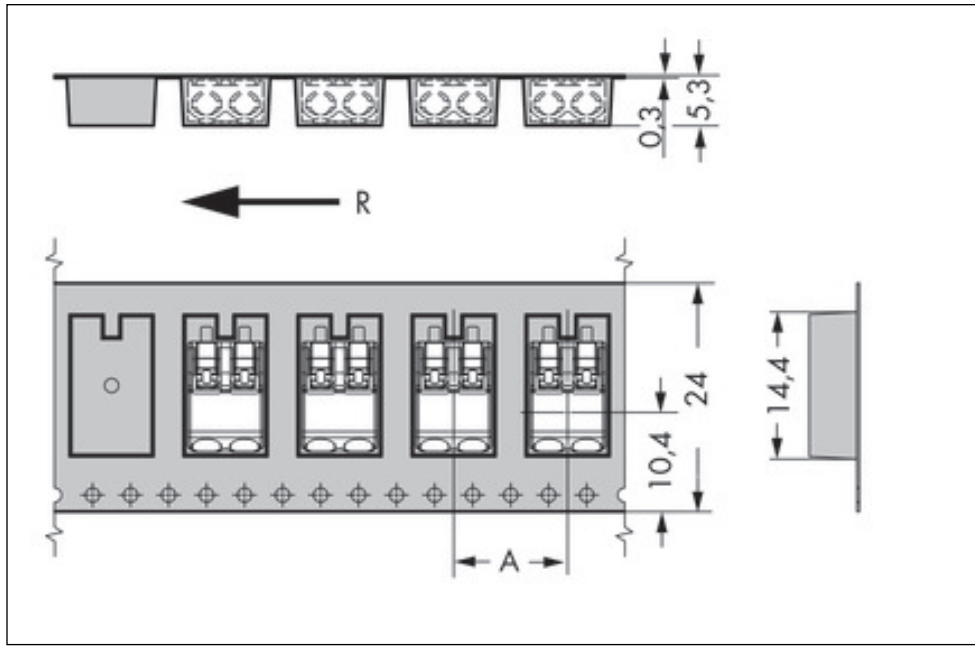
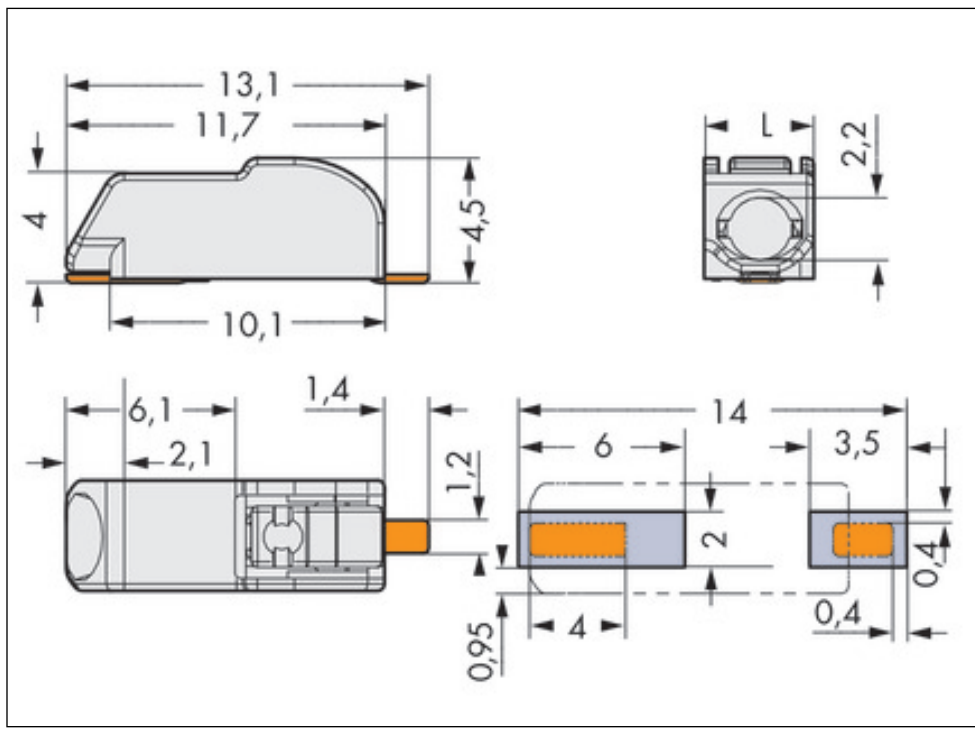
Technical data	
Rated surge voltage (1) [kV]	2.5 [kV]
Nominal current [A]	9 [A]
Overvoltage category EN 2	II
Degree of pollution (2)	2
Rated voltage EN (2) [V]	320 [V]
Rated surge voltage (2) [kV]	2.5 [kV]
Nominal current (2) [A]	9 [A]
Overvoltage category EN 3	III
Degree of pollution (3)	3
Rated voltage EN (3) [V]	63 [V]
Rated surge voltage (3) [kV]	2.5 [kV]
Nominal current (3) [A]	9 [A]
Connection technology (1)	CAGE CLAMP® S
Conductor type (1)	solid
Cross section from (1) [mm ²]	0.2 [mm ²]
Cross section up to (1) [mm ²]	0.75 [mm ²]
Cross section from (1) [AWG]	24 [AWG]
Cross section up to (1) [AWG]	18 [AWG]
Conductor type (2)	fine-stranded
Cross section from (2) [mm ²]	0.2 [mm ²]
Cross section up to (2) [mm ²]	0.75 [mm ²]
Cross section from (2) [AWG]	24 [AWG]
Cross section up to (2) [AWG]	18 [AWG]
Conductor type (3)	fine-stranded, with insulated ferrule
Cross section from (3) [mm ²]	0.25 [mm ²]
Cross section up to (3) [mm ²]	0.34 [mm ²]
Conductor type (4)	fine-stranded (with uninsulated ferrule)
Cross section from (4) [mm ²]	0.25 [mm ²]
Cross section up to (4) [mm ²]	0.34 [mm ²]
Stripped length from (1) [mm]	6 [mm]
Stripped length up to (1) [mm]	7 [mm]
Strip length from [inch] [in]	0.24 [in]
Strip length up to [inch] [in]	0.28 [in]
Stripped length (1) [in]	0.26 [in]

Technical data	
<i>Material group</i>	<i>I</i>
<i>Insulating material</i>	<i>Polyphthalamide glass fiber (PPA-GF)</i>
<i>Flammability rating per UL 94</i>	<i>V0</i>
<i>Lower limit temperature [C]</i>	<i>-60 [C]</i>
<i>Upper temperature limit [C]</i>	<i>105 [C]</i>
<i>Contact material</i>	<i>Copper alloy</i>
<i>Contact plating</i>	<i>tin-plated</i>
<i>Weight [g]</i>	<i>0.525 [g]</i>
<i>Width [mm]</i>	<i>3.9 [mm]</i>
<i>Width [in]</i>	<i>0.154 [in]</i>
<i>Height [mm]</i>	<i>4.5 [mm]</i>
<i>Height [in]</i>	<i>0.177 [in]</i>
<i>Length [mm]</i>	<i>13.1 [mm]</i>
<i>Length [in]</i>	<i>0.516 [in]</i>
<i>Pin spacing from [mm]</i>	<i>4 [mm]</i>
<i>Pin spacing from [in]</i>	<i>0.157 [in]</i>

Approbation					
Item No.	Registration	Registration no.	Voltage [V]	Current [A]	Cross section [mm ² , AWG]
2060-401/998-404	CCA	2159195.02	130	9	0.25-0.75
2060-401/998-404	UL	E45171	600	9	24-18

Images & drawings





Address

WAGO Kontakttechnik GmbH & Co. KG

Hansastr. 27

32423 Minden

Telefon: 0571/887-0

Fax: 0571/887-169

<http://www.wago.com>

© WAGO Kontakttechnik GmbH & Co. KG

Technische Änderungen und Irrtümer vorbehalten.