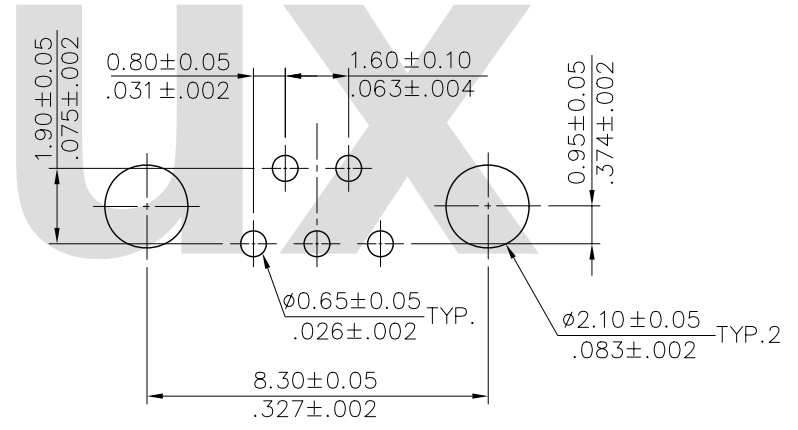
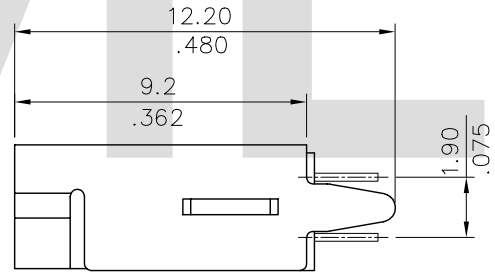
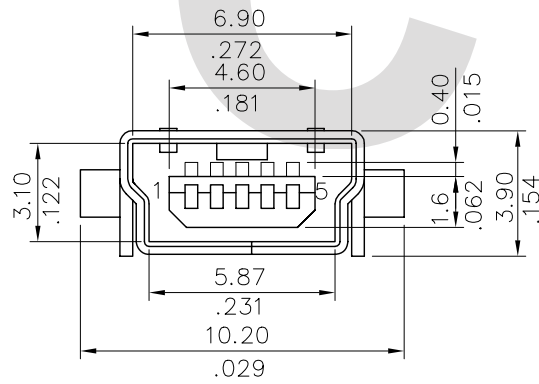
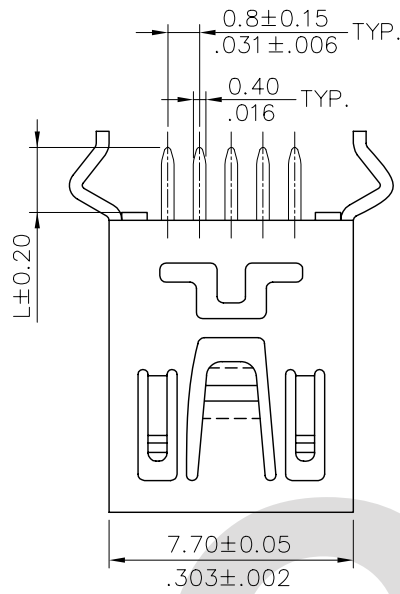


Ordering Code:

CU04 S A V 1 5 B 0
 ① ② ③ ④ ⑤ ⑥ ⑦ ⑧

- ① Series No.
- ② S= Socket
- ③ Plating option:
 A= Selective Gold flash plated over 1.27μm(50μ") Nickel
 C= Selective 0.76μm(30μ") Gold plated over 1.27μm(50μ") Nickel
- ④ Tail style: V= Straight DIP Type
- ⑤ Insulator Color: 1= Black
- ⑥ No of Circuits: 5= 5 Pin
- ⑦ Type: B= Mini USB 5 Pin Type-B (Black)
- ⑧ Option: 0: L= 2.05mm (Standard)
 1: L= 2.90mm

Materials :
 * Insulator: High temperature plastic UL 94V-0
 * Contacts: Copper Alloy
 * Shell: Copper Alloy
 * Shell Plating: Nickel Plated



Recommended P.C. Board Layout

Lead Free Process
 RoHS Compliant

④						DATE	UNIT: mm / inch		TITLE: MINI USB 5 PIN STRAIGHT DIP BOARD MOUNT CONNECTOR	瀚荃股份有限公司 CviLux Corporation
③			DRAWN BY: Sandy		1/21-08'	TOLERANCE UNLESS OTHERWISE SPECIFIED		MATERIAL:		
②			ENGINEER: Eisley		1/21-08'	.X ± 0.30/.012	X' ± 1'		FINISH:	
①	Sandy	1/18-08'	ECN08032		CHECKED BY: David	1/21-08'	.XX ± 0.20/.008	X" ±		
SYM	NAME	DATE	REVISIONS	APPROVED BY: Alex	1/21-08'	.XXX ± 0.15/.006	.XX' ±	SCALE 4 / 1	SHEET 1 OF 1	