



FEATURES:

- RoHS compliant
- Switching power modules for PCB mounting
- Fully encapsulated plastic case
- Universal input: 90-260VAC, 47-440Hz, or 120-370VDC
- Low ripple and noise
- High efficiency up to 77%
- Regulated output
- CE, cUL approvals

Models Single output

Model	Input Voltage (VAC/Hz)	Input Voltage (VDC)	Max Output wattage (W)	Output Voltage (V)	Output Current max (A)	Minimum load (%)	Efficiency (%)
AME15-5SZ	90-260/47-440	120-370	15	5	3	0	70
AME15-12SZ	90-260/47-440	120-370	15	12	1.25	0	73
AME15-15SZ	90-260/47-440	120-370	15	15	1	0	73
AME15-24SZ	90-260/47-440	120-370	15	24	0.625	0	77

Models Dual output

Model	Input Voltage (VAC/Hz)	Input Voltage (VDC)	Max Output wattage (W)	Output Voltage (V)	Output Current max (A)	Minimum load (%)	Efficiency (%)
AME15-5DZ	90-260/47-440	120-370	15	±5	±1.5	0	71
AME15-12DZ	90-260/47-440	120-370	15	±12	±0.650	0	76
AME15-15DZ	90-260/47-440	120-370	15	±15	±0.500	0	65

Models Triple output

Model	Input Voltage (VAC/Hz)	Input Voltage (VDC)	Max Output wattage (W)	Output Voltage (V)	Output Current max (A)	Minimum load (%)	Efficiency (%)
AME15-512TZ	90-260/47-440	120-370	15	5 / ±12	2 / ±0.2	For 5V 10% (200mA)	68
AME15-515TZ	90-260/47-440	120-370	15	5 / ±15	2 / ±0.15	For 5V 10% (200mA)	68

Input Specifications

Parameters	Conditions	Typical	Maximum	Units
Current	115 VAC		280	mA
	230 VAC		170	mA
Inrush current <2ms	115 VAC		10	A
	230 VAC		20	A
Leakage current			0.75	mA
External fuse	Recommended slow blow type	1.5		A

Output Specifications

Parameters	Conditions	Typical	Maximum	Units
Voltage accuracy		±2		%
Line regulation (LL-HL)	All single output	±0.5		%
	All dual output	±0.5		%

Output Specifications (continued)

Parameters	Conditions	Typical	Maximum	Units
Load regulation (5-100%)	All triple output	$\pm 1 / \pm 5$		%
	All single output	± 0.5		%
	All dual output	± 3		%
	All triple output	$\pm 2 / \pm 5$		%
Maximum capacitive load	Depending of the model	470-23,000		μF
Noise			$< 0.5 \% V_{\text{out}} + 50 \text{ mV}$	
Ripple			$< 0.2 \% V_{\text{out}} + 40 \text{ mV}$	
Hold-up time (min)		15		ms

Isolation Specifications

Parameters	Conditions	Typical	Maximum	Units
Input / Output		3000		VAC
Input FG		1500		VAC
Output FG		500		VAC

General Specifications

Parameters	Conditions	Typical	Maximum	Units
Switching frequency		100		KHz
Over current protection	Hiccup, auto recovery			
Over voltage protection	Zener diode clamp			
Short circuit protection	Hiccup mode, indefinite, auto recovery			
Operating temperature	With derating above 50°C	-25 - +70		°C
Storage temperature		-40 to +85		°C
Temperature coefficient		0.02		% / °C
Cooling	Free air convection			
Humidity	Non condensing		95	% RH
Case material	Plastic resin + Fiberglass (flammability to UL 94V-0)			
Weight		140		g
Dimensions		2.91 x 2.13 x 0.87 inches	74.0 x 54.0 x 22.0 mm	
MTBF		> 200 000 hrs (MIL-HDBK -217F, $t = +25^\circ\text{C}$)		

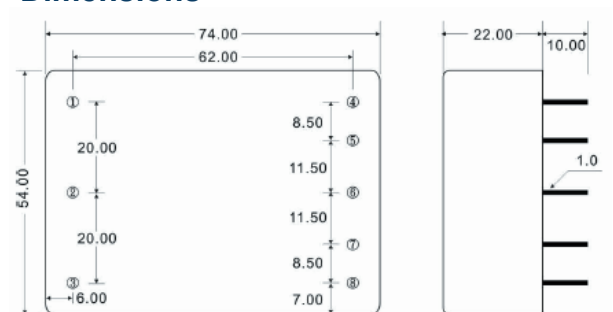
Safety Specifications

Standards	
Safety	EN55022 class B (EMI – Conducted & Radiated Emission), EN 55024 (EMS – Noise Immunity)
Agency approvals	cULus, CE

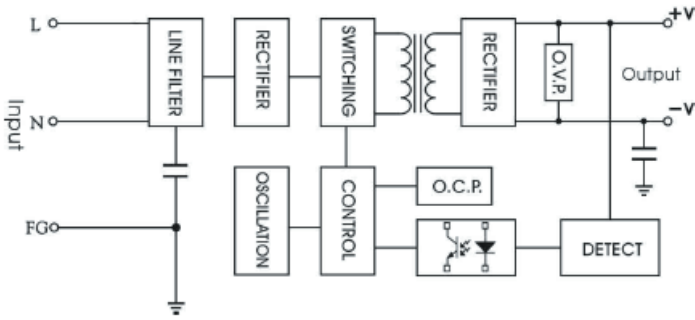
Pin Out Specifications

Pin	Single	Dual	Triple
1	FG	FG	FG
2	AC Input (N)	AC Input (N)	AC Input (N)
3	AC Input (L)	AC Input (L)	AC Input (L)
4	No pin	No pin	-V Output
5	-V Output	-V Output	Common
6	No pin	Common	+V Output
7	+V Output	+V Output	+5V Return
8	No pin	No pin	+5V Output

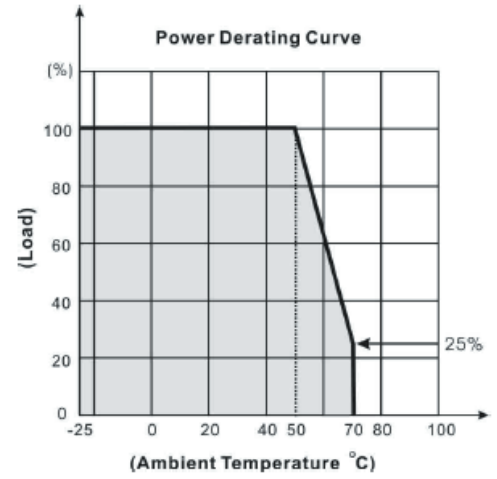
Dimensions



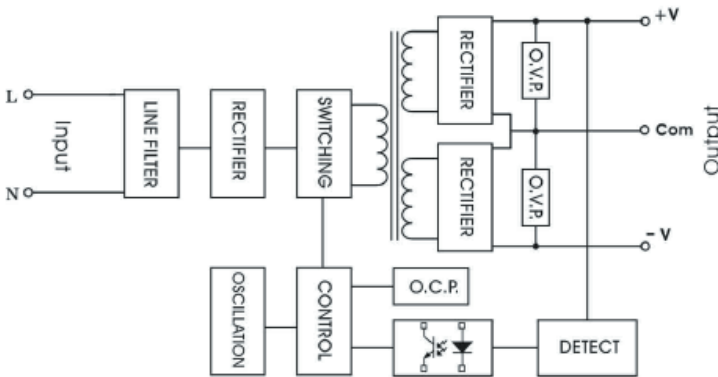
Block diagrams
Single output



Derating



Dual output



Triple output

