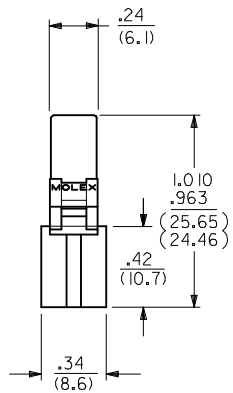
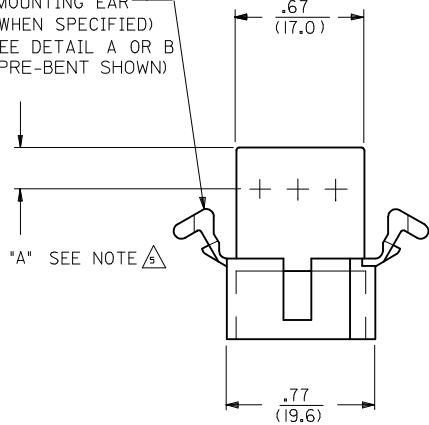
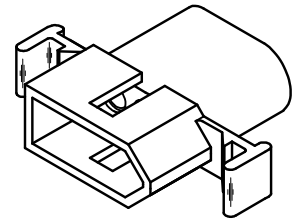
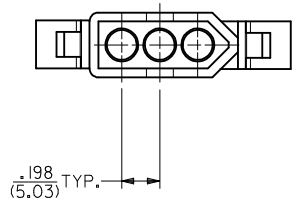
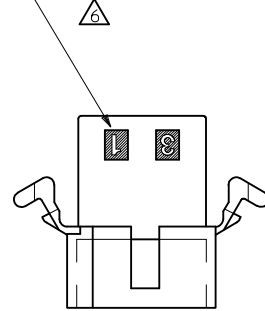


MOUNTING EAR  
(WHEN SPECIFIED)  
SEE DETAIL A OR B  
(PRE-BENT SHOWN)

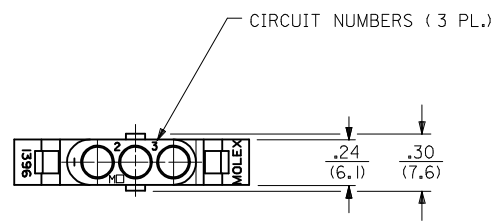


CIRCUIT I.D. NUMBERS

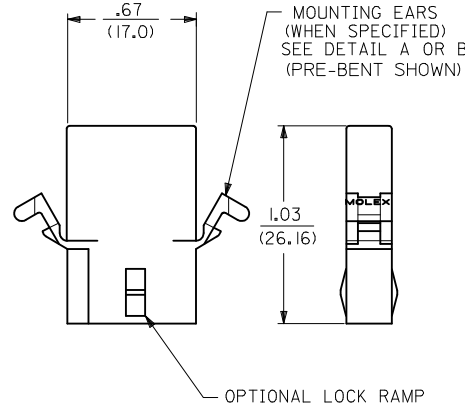


**PLUG**

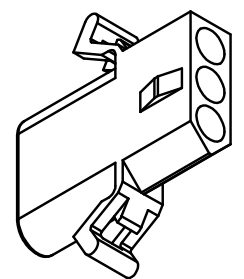
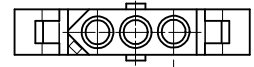
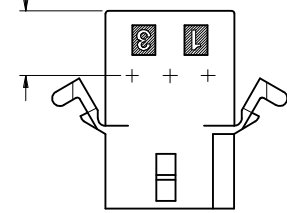
1396-P SHOWN ABOVE ( WITH STANDARD MOUNTING EAR)



ALTERNATE END CONFIGURATION  
SEE NOTE

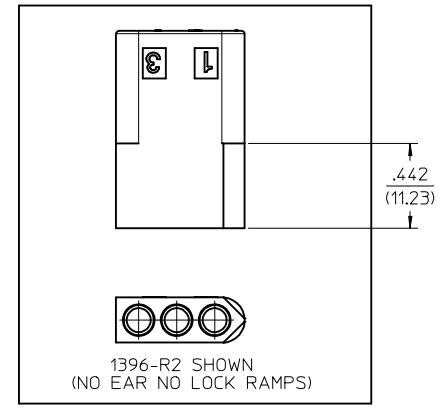


"B" SEE NOTE



**RECEPTACLE**

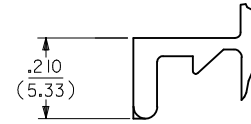
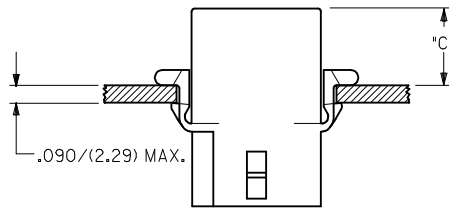
1396-R4 SHOWN ( WITH PRE-BENT EAR)



<b>ADD NOTES 7 &amp; 8</b> EC NO: UCP2014-5270 DRWN:JDFX 2014/06/17 CHKD:HKIPPR 2014/06/17 APPR:FSMITH 2014/06/23	QUALITY SYMBOLS ▽=0 ▽=0 ▽=0	GENERAL TOLERANCES (UNLESS SPECIFIED)		DIMENSION STYLE <b>IN/MM</b>		SCALE <b>2:1</b>	DESIGN UNITS <b>INCH</b>	THIRD ANGLE PROJECTION	
			mm	INCH	DRAWN BY	DATE	TITLE <b>.093/(2.36) HOUSING          PLUG AND RECEPTACLE          3 CIRCUIT .198 CENTERS</b>		
		4 PLACES ± --- ± ---			JJS	1988/04/08			
		3 PLACES ± --- ± .010			CHECKED BY	DATE	<b>molex</b>		
2 PLACES ± 0.25 ± .014			RW	1988/04/08					
1 PLACE ± 0.35 ± ---			APPROVED BY	DATE	MATERIAL NO. <b>SEE CHART</b>		DOCUMENT NO. <b>SD-1396-*</b>	SHEET NO. <b>1 OF 2</b>	
0 PLACE ± --- ± ---			FSMITH	2014/06/23	THIS DRAWING CONTAINS INFORMATION THAT IS PROPRIETARY TO MOLEX INCORPORATED AND SHOULD NOT BE USED WITHOUT WRITTEN PERMISSION				
DRAFT WHERE APPLICABLE MUST REMAIN WITHIN DIMENSIONS		ANGULAR ±1/2°		SIZE <b>C</b>					

13	12	11	10	9	8	7	6	5	4	3	2	1
PLUG		RECEPTACLE										
ORDER NO.	ENG. NO.	ORDER NO.	ENG. NO.									
03-09-2031	I396-P	03-09-1031	I396-R									
03-09-2032	I396-P1	03-09-1032	I396-R1									
03-09-7032	I396-PIBK	03-09-1033	I396-R2									
03-09-7031	I396-PBK	03-09-6033	I396-R2BK									
03-09-2037	I396-P3	03-09-6032	I396-RIBK									
		03-09-6031	I396-RBK									
		03-09-1081	I396-R4									

HOUSING	DIM. "A"	DIM. "B"	"C" PREBENT EAR	"C" STANDARD EAR
PLUG	.933/(23.70)	.375/(9.53)	.40/(10.2)	.38/(9.7)
RECEPT.	.830/(21.08)	.312/(7.92)	.41/(10.4)	.39/(9.9)



**LEGEND:**

I396-\*\*\*\*-\*

P = PLUG  
R = RECEPTACLE

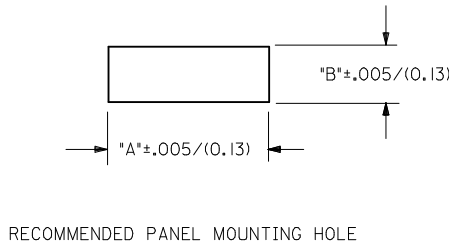
- BLANK = WITH STANDARD EARS  
 1 = WITHOUT EARS  
 2 = RECEPTACLE WITHOUT EARS, WITHOUT LOCK RAMP  
 3 = PLUG ONLY, W/ SIDE MOUNT (SEE SD-I396-P3)  
 4 = WITH PREBENT EARS

COLOR: BLANK=NATURAL COLOR  
 AM=AMBER BK=BLACK BU=BLUE  
 BN=BROWN GY=GRAY GN=GREEN  
 OR=ORANGE RD=RED YW=YELLOW

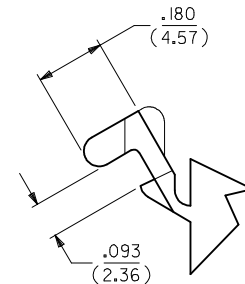
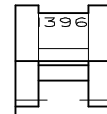
BLANK = NYLON 6/6, 94V-2

**NOTES:**

- MATERIAL: SEE LEGEND
  - FINISH: NOT APPLICABLE
  - PRODUCT SPECIFICATION: PS-02-09
  - PACKAGING INFORMATION: REFER TO PK-1396-001
- △ DIMENSION FROM THE BACK OF THE HOUSING TO THE END OF BRUSH ON WIRE INSERTED INTO THE HOUSING:  
 DIM "A"= .256/6.50 FOR 42477 & 42478 TERMINALS  
 .216/5.49 FOR ALL OTHER .093 TERMINALS  
 DIM "B"= .377/9.58 FOR 42477 & 42478 TERMINALS  
 .337/8.56 FOR ALL OTHER .093 TERMINALS
- △ CIRCUIT I.D. NUMBERS ON SIDE OF HOUSING APPEAR ON PARTS FROM TOOLS BUILT AFTER 5/4/93.
- △ END CONFIGURATION IS DEPENDENT ON MOLD DESIGN. PARTS MAY HAVE EITHER CONFIGURATION.
- PARTS CONFORM TO CLASS B REQUIREMENTS OF COSMETIC SPECIFICATION PS-45499-002.



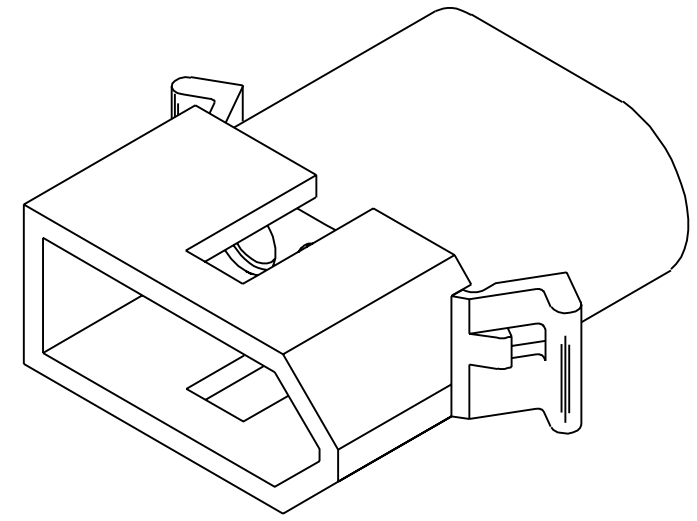
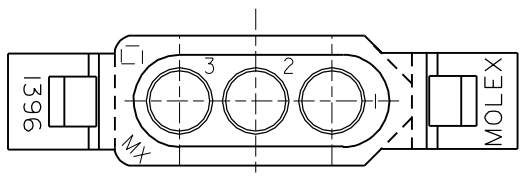
**DETAIL A**  
STANDARD MOUNTING EAR  
(SCALE 4:1)



**DETAIL B**  
PREBENT MOUNTING EAR  
(SCALE 4:1)

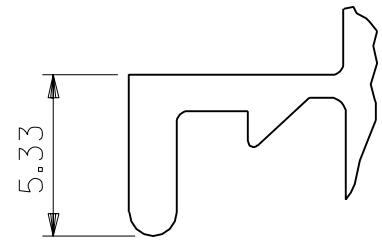
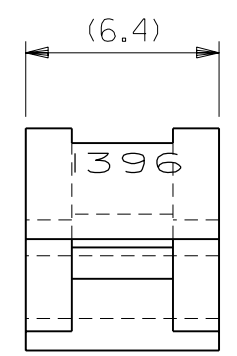
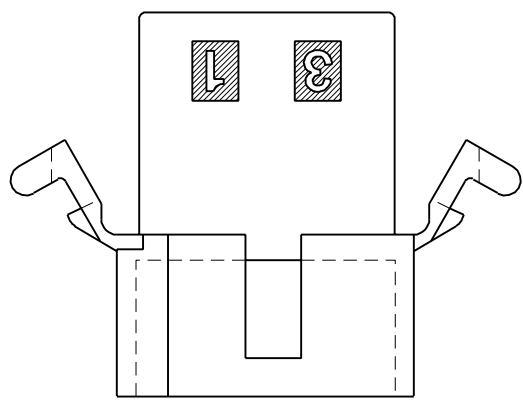
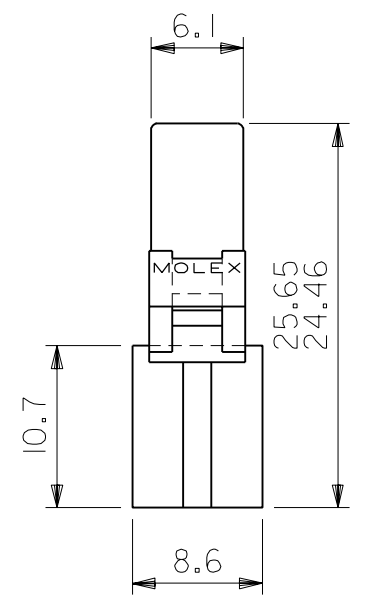
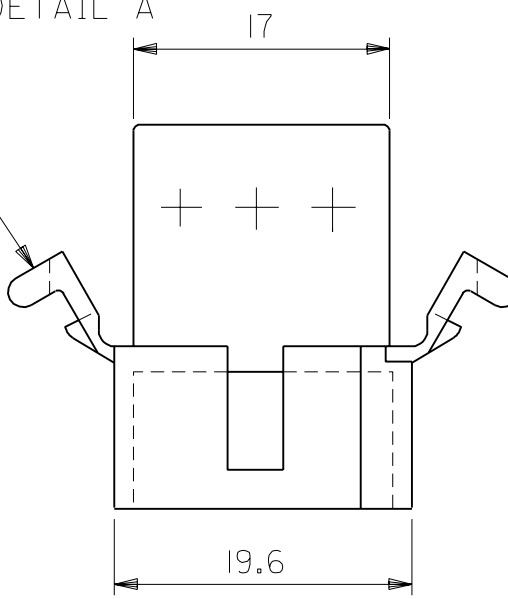
<b>ADD NOTES 7 &amp; 8</b> EC NO: UCP2014-5270 DRWN:JDOX 2014/06/17 CHKD:HKIPPER 2014/06/17 APPR:FSMITH 2014/06/23	QUALITY SYMBOLS ▽=0 ▽=0 ▽=0	GENERAL TOLERANCES (UNLESS SPECIFIED)		DIMENSION STYLE	SCALE	DESIGN UNITS	THIRD ANGLE PROJECTION	
				IN/MM	2:1	INCH		
				DRAWN BY	DATE	TITLE		
				CHECKED BY	DATE	.093/(2.36) HOUSING PLUG AND RECEPTACLE 3 CIRCUIT .198 CENTERS		
		ANGULAR ±1/2°		APPROVED BY	DATE	molex		
		DRAFT WHERE APPLICABLE MUST REMAIN WITHIN DIMENSIONS		FSMITH	2014/06/23	SD-1396-*		
				MATERIAL NO.	DOCUMENT NO.	SHEET NO.		
				SEE CHART		2 OF 2		
				THIS DRAWING CONTAINS INFORMATION THAT IS PROPRIETARY TO MOLEX INCORPORATED AND SHOULD NOT BE USED WITHOUT WRITTEN PERMISSION				

DWG. NO.  
SD-1396-002

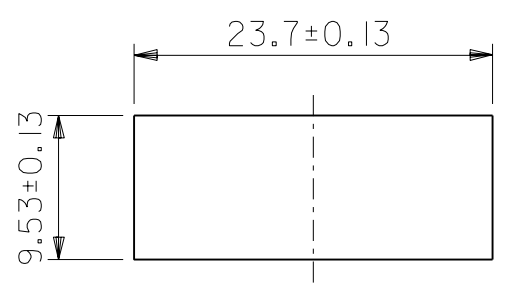
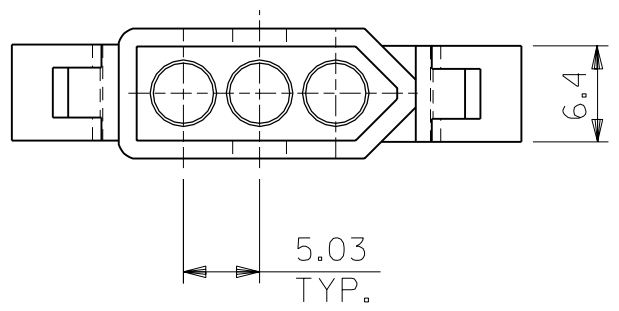


PLUG

MT'G EARS (表参照)  
参照 DETAIL A



DETAIL A  
(SCALE 4:1)



パネル取付穴寸法  
(パネル厚 2.29最大)

1396P1	03-09-2032	無	WITHOUT
1396P	03-09-2031	有	WITH
ENG. NO.	EDP NO.	MT'G EARS	

DO NOT SCALE DRAWING

EC NO.	DRWN:	CH'K:	APPR:	EC NO.	DRWN:	CH'K:	APPR:	EC NO.	DRWN:	CH'K:	APPR:	EC NO.	DRWN:	CH'K:	APPR:

RELEASED  
EC NO. JC2001-0078  
DRWN: K.KOHAMA '00/08/28  
CH'K: T.YAMAGUCHI  
APPR: M.FUKUSHIMA

MATERIAL 材料	NYLON66 94V-2
FINISH 仕上り	
WIRE RANGE 適用電線範囲	
INS. RANGE 被覆外径	

GENERAL TOLERANCES: (UNLESS SPECIFIED) 一般公差	SCALE 2:1	DESIGN UNITS <input checked="" type="checkbox"/> mm <input type="checkbox"/> INCH	THIRD ANGLE PROJECTION <input checked="" type="checkbox"/> THIRD ANGLE <input type="checkbox"/> FIRST ANGLE
10 UNDER 未満	±0.25 ±0.2	DRAWN BY & DATE K.KOHAMA '00/08/28	TITLE: 3 CIRCUITS PLUG HSG (0.093 DIA TERMINAL)
10 OVER 以上	±0.3 ±0.25	CHECKED BY & DATE T.YAMAGUCHI '00/08/28	MOLEX INCORPORATED
30 UNDER 未満	±0.35 ±0.3	APPROVED BY & DATE M.FUKUSHIMA '00/08/28	
30 OVER 以上	±0.35 ±0.3	CAD FILENAME 1396002.S01	MATERIAL NO. SEE NOTES
ANGLE 角度	±3°	DRAWING NO. SD-1396-002	

MODEL NO. 03-09-2\*\*\*  
DIMENSIONS:  
 mm  INCH  mm ONLY

SHT	REV
	REVISE ON CAD ONLY
SHEET NO. 1 OF 1	
SIZE B	

THIS DRAWING CONTAINS INFORMATION THAT IS PROPRIETARY TO MOLEX INCORPORATED AND SHOULD NOT BE USED WITHOUT WRITTEN PERMISSION.