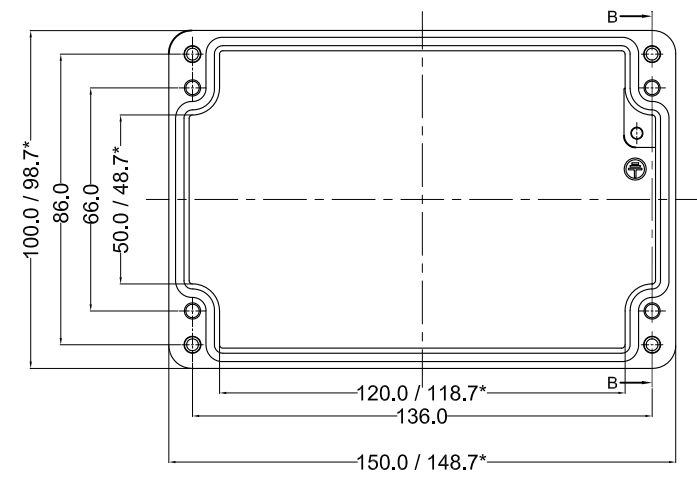
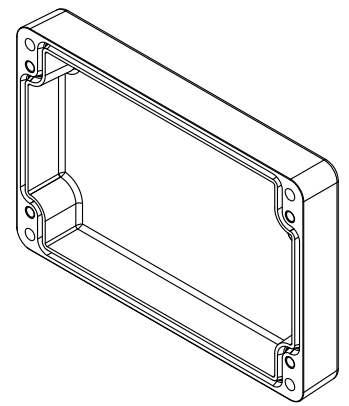
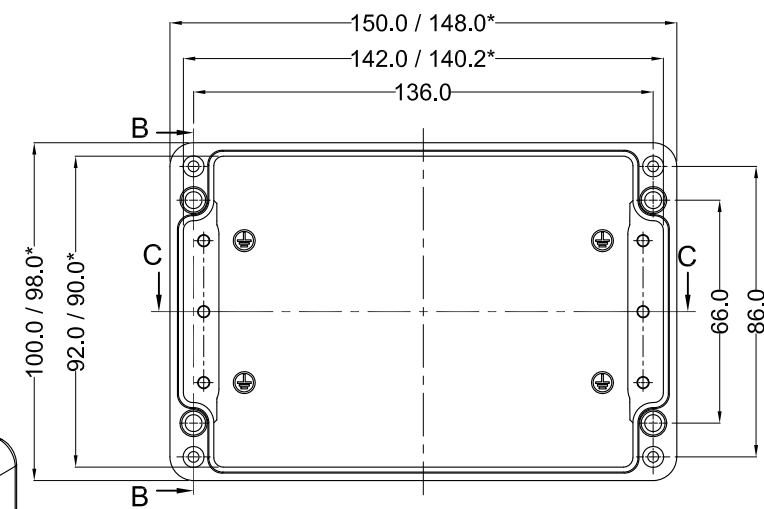
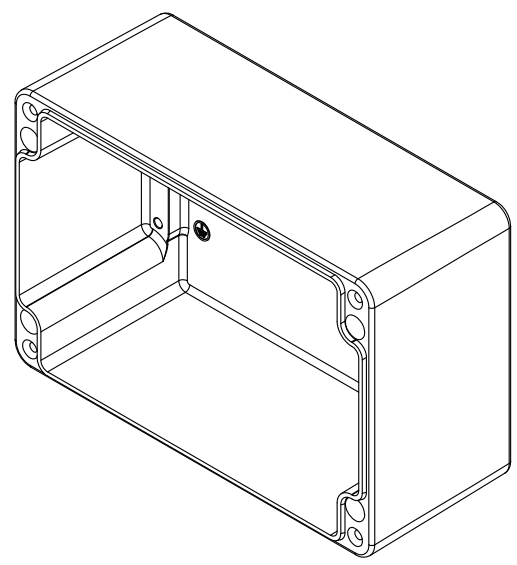


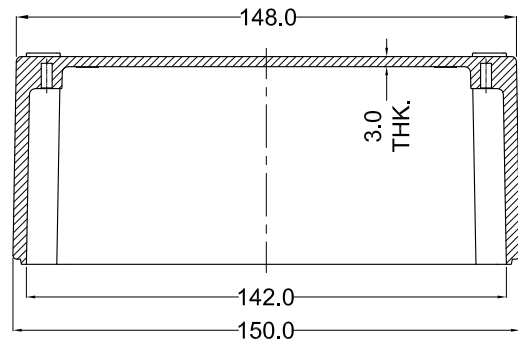
* = Conical form tapering downward.
 Untoleranced dimensions per GTA 13/5 - DIN 1688



LID



BASE



SECTION C-C

POSITION NO.	PART NAME	DRAWING NO.	TOOL NO.	QTY
4	JB-EARTHING M4 SCREW	JB_M4 SCREW	-	4
3	JB-M4 SCREW	JB M4_CO	-	4
2	JUNCTION BOX 150 x 100 x 81	AJB-15010081-B	-	1
1	JUNCTION BOX 150 x 100 x 81	AJB-15010081-L	-	1

QUANTITY	MATERIAL :-	MACH.NAME	DATE	SIGN	NAME	
1	AlSi12 DIN230	-				RRPL DESIGN
			08-06-12			MANOJ DRAWN
			08-06-12			PAVAN CHECKED
						S.D. APPROVED
						SCALE PARTNO.
						REV DRG. NO.
						0 AJB-15010081

PROPERTY OF RaychemRPG (P) LTD.
 ALL RIGHTS RESERVED AND/OR PHOTOCOPYING THIS DOCUMENT
 TO A PERSON WITHOUT RaychemRPG (P)LTD. WRITTEN AUTHORIZATION IS PROHIBITED

TOLERANCE: ±0.2 DIMENSIONS
 ±0.2 HOLES
 ±1.0° ANGLES
 WEIGHT: - FINISH: NATURAL
 ALL DIMENSION ARE IN MM
Raychem RPG (P) Limited
 Ceat Mahal Annexe,
 Dr. Annie Besant Road ,
 Worli , Mumbai 400030
 Web : www.raychemrpg.com