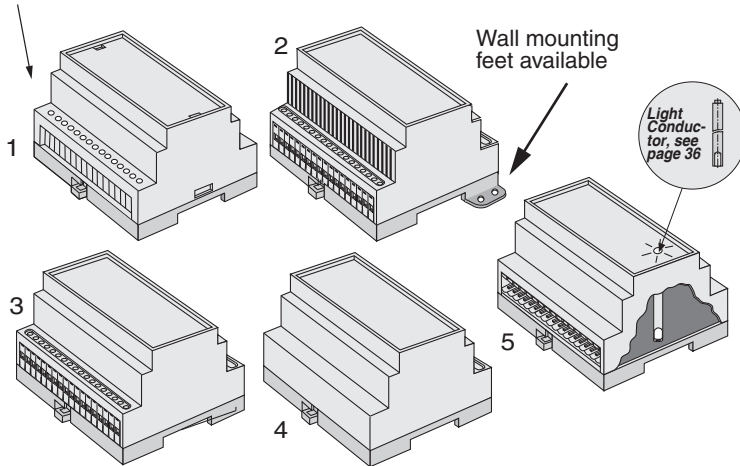


6 MODULE ENCLOSURES FOR M36 DIN-RAIL

SERIES 1050

Version with knock out blanks for individual terminal configuration available

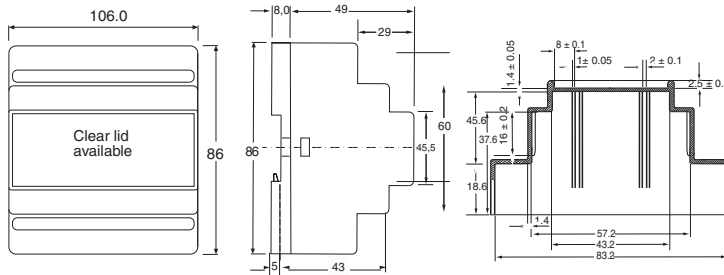
Possibility for ventilation



Many other connectors and terminal configurations are available upon request

Options:

- open version for bigger terminals,
- no terminal numbers.
- red, grey or infra-red lid.
- click in frontpanel.
- hinged lid.
- not all versions are available for all sizes.



For detailed drawings please see www.bernic.dk or ask for a CAD drawing

Module enclosure for M36 DIN-rail.

Series 1050 is, if requested, available in several colours and with custom made holes in the front.

Lid, PCB, customized label and packing is available. Possibility for both base and top PCB. A closed version without terminals is also available.

Trimmers and spindles that fit the height of the box are available.

TECHNICAL DATA:

TOP PART:

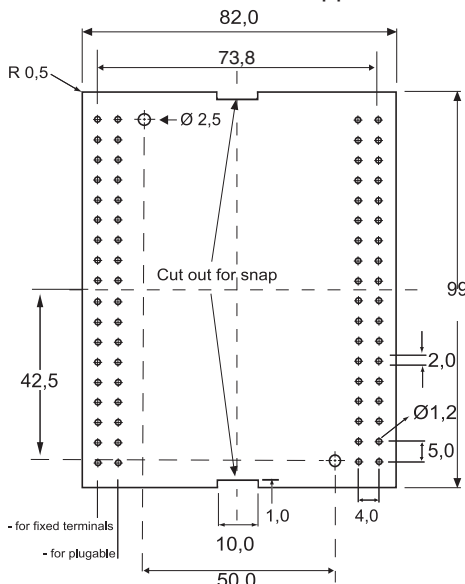
Material: Lexan 940
 Colour: Grey (RAL 7035)
 Max. temperature: 100°C
 Width: 105 mm (6 modules)
 Label measurement: 41.0 x 100.0 mm
 Self-extinguishing: Acc. to UL94-V0
 IP Protection: IP 20

BASE PART:

Material: Noryl VO 1550
 Colour: Black (RAL 9005)
 Max. temperature: 100°C
 Max. wire dia.: 2 x 2.5 mm²
 Max. load: 10A (for higher load please enquire)
 Terminals: 36 fixed or pluggable
 Mounting: DIN-rail (EN50022)
 Self-extinguishing: Acc. to UL94-V0

HORIZONTAL PCB DIMENSIONS

PCB shown from copperside



● All measurements are in mm.

●● Please note that most pluggable terminals are in 5,08 pitch and need a bigger hole in the PCB

TYPE 1050:	ORDER CODE:
Complete, 257 for pluggable	p/n 4969101051
Complete, 605 for fixed terminals	p/n 4969101052
Complete, 605, ventilated	p/n 4969101058
Complete, closed, no terminals	p/n 4969101050
Top part, 257, pluggable	p/n 4969001051
Top part, 605 / 250 fixed terminals	p/n 4969001052
Top part, grey, closed, no terminals	p/n 4969001050
Base part with clip and 2 screws	p/n 4969021051
DIN-rail clip for 1050	p/n 0669000604
Transparent lid for 1050	p/n 4969011050
Packing for 1050	p/n 2068105000
PCB for 1050	p/n 4999001050
Terminal for 1050, 257/18, HO/A, PCB part	p/n 1155718580
Terminal for 1050, 256/18, wire part	p/n 1155618080
Terminal for 1050, 605/18, fixed terminals	p/n 3950141808
Screw/selfcutting 2 pcs.	p/n 7006102965

Many more p/n available - please enquire.