

SMALL VICE SPANNFIX

The ESD types SPANNFIX are covered with a black dissipative surface with a surface resistance between 10^7 and 10^8 Ohm.



9-205 ESD  **BERNSTEIN** **SPANNFIX screw-on vice with dissipative surface**

for work benches or laboratory tables with max. table thickness of 80 mm
 Technical data:
 Clamping pressure 1470 N
 Clamping capacity 70 mm
 Clamping depth 38 mm
 Jaw width 50 mm
 interchangeable plastic jaws from dissipative material - Art.-No. 9-206-50 ESD
 Weight: 1.450 kg



9-251 ESD  **BERNSTEIN** **Universal clamp base with dissipative surface**

with ball joint and threaded stud M 12 x 1.5, for work benches or laboratory tables with max. table thickness of 80 mm
 Weight: 0.950 kg

9-252 ESD  **BERNSTEIN** **Screw-on mounting vice with dissipative surface**

Technical data: see 9-205 ESD
 Weight: 0.560 kg




9-253 ESD  **BERNSTEIN** **Circuit board holder**

adjustable from 25 mm to 270 mm clamping capacity, correct setting by adjusting the centre position, firm clamping of the printed circuit by built-in resilience in the locating arms, height of locating arms 70 mm
 Weight: 0.280 kg



9-255 ESD  **BERNSTEIN** **Angular adapter with dissipative surface**

to permit a larger turning circle when using 9-253
 Weight: 0.095 kg

9-256  **BERNSTEIN** **Clamping lid for circuit boards with components**

covered with 20 mm thick ESD foam
 Components of different sizes are pressed in such a way that soldering can be carried out correctly after the circuit board holder has been turned.
 Size of cover: 240 x 130 mm
 Use: in conjunction with circuit board holder 9-253
 Weight: 0.260 kg



9-257 ESD  **BERNSTEIN** **Rapid turning device with dissipative surface**

with permanently connected angular adapter, permits swift rotation of the circuit board holder with the PCB and clamping lid through 180°.
 Weight: 0.270 kg



SMALL VICE SPANNFIX

The Spannfix vice simplifies many jobs in precision engineering, in laboratories, in test rooms, in all mechanical and electrical workshops as well as in different medical areas and in logistic centers.

9-205



SPANNFIX screw-on vice

for work benches with a max. table thickness of 80 mm.
The small vice with ball-and-socket joint can be mounted quickly and easily onto a work bench or table. Slight pressure on the lever is sufficient, and the clamped workpiece can be moved into any suitable position.

Technical data:

Clamping pressure	1470 N
Clamping capacity	70 mm
Clamping depth	38 mm
Jaw width	50 mm
9-206-50	Jaws (interchangeable) plastic

Weight: 1.450 kg

9-215



SPANNFIX for permanent mounting

Technical data as 9-205
Size of base: 150 x 105 mm

Weight: 1.350 kg

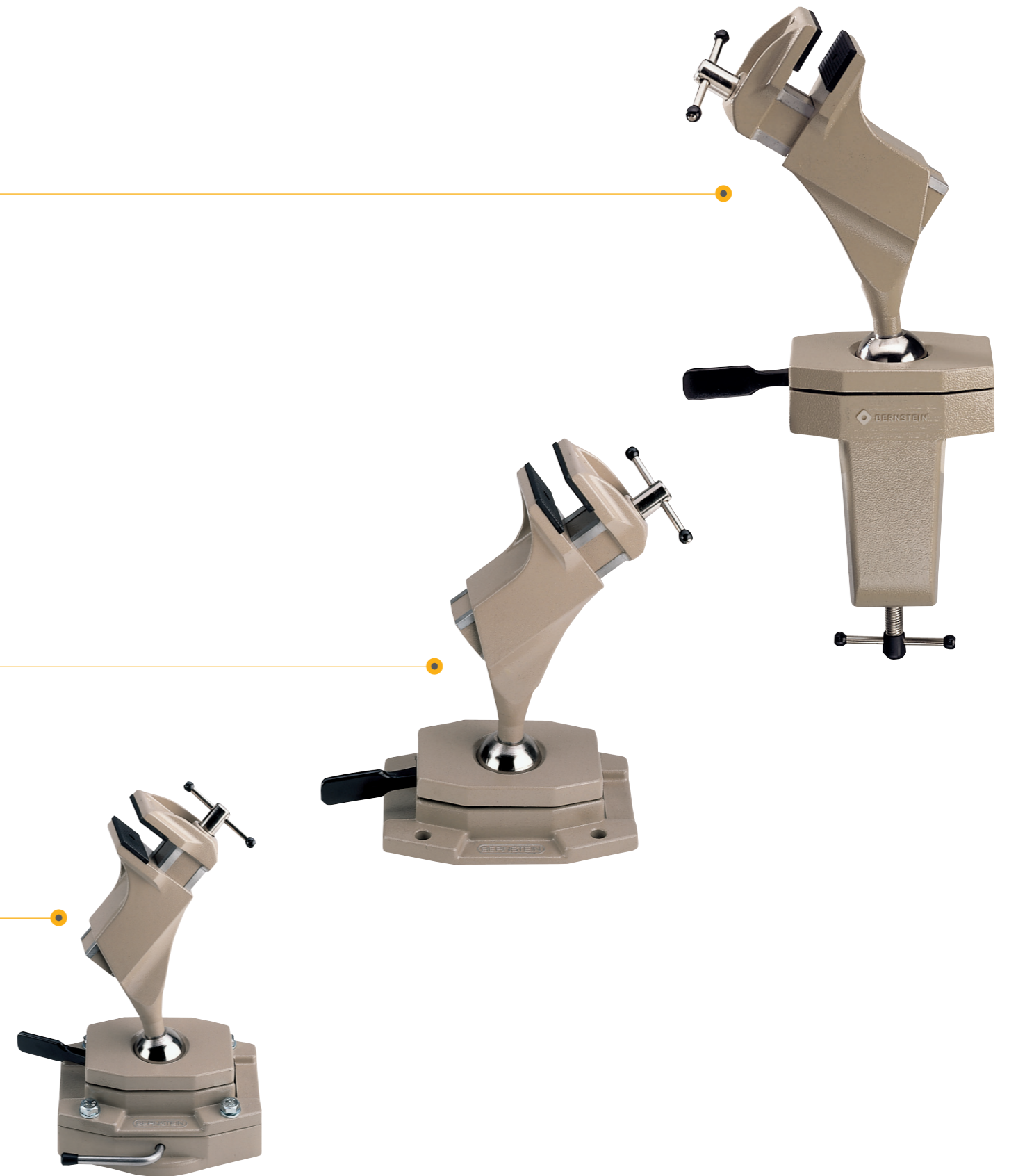
9-220



SPANNFIX vice with vacuum base for portable applications

(consisting of 9-211 and 9-215)
Technical data as 9-205
Size of base: 150 x 105 mm

Weight: 2.000 kg



CLAMPING EQUIPMENT SPANNFIX COMBINATIONS

Individual components

9-251 **BERNSTEIN** **UNIVERSAL CLAMP MOUNTING BALL JOINT BASE WITH THREADED STUD M 12 X 1.5**

for screwing onto work benches with a max. table thickness of 80 mm
Weight: 0.950 kg

9-252 **BERNSTEIN** **SCREW-ON MOUNTING VICE**

Technical data:
Clamping pressure 1470 N
Clamping capacity 70 mm
Clamping depth 38 mm
Jaw width 50 mm
9-206-50 Jaws (interchangeable) plastic
Weight: 0.560 kg

9-253 **BERNSTEIN** **CIRCUIT BOARD HOLDER**

adjustable from 25 mm to 270 mm clamping capacity, correct setting by adjusting the centre position, firm clamping of the printed circuit by built-in resilience in the locating arms, height of locating arms 70 mm.

Weight: 0.280 kg

If the circuit board holder is to be used with universal ball joint base 9-251, we recommend that the combination is used with angular adapter 9-255 or with rapid turning device 9-257 in order to obtain a larger turning circle.

9-254 **BERNSTEIN** **UNIVERSAL SCREW-ON PLATE**

Slots made for commonly used standard bolts, for holding of e. g. tuner, line output transformer, small loudspeaker etc. or prototypes
Weight: 0.120 kg

9-255 **BERNSTEIN** **ANGULAR ADAPTER**

to be used as an additional attachment with every work mount, permits an even larger turning circle.
Weight: 0.095 kg

9-256 **BERNSTEIN** **CLAMPING LID FOR CIRCUIT BOARDS WITH COMPONENTS**

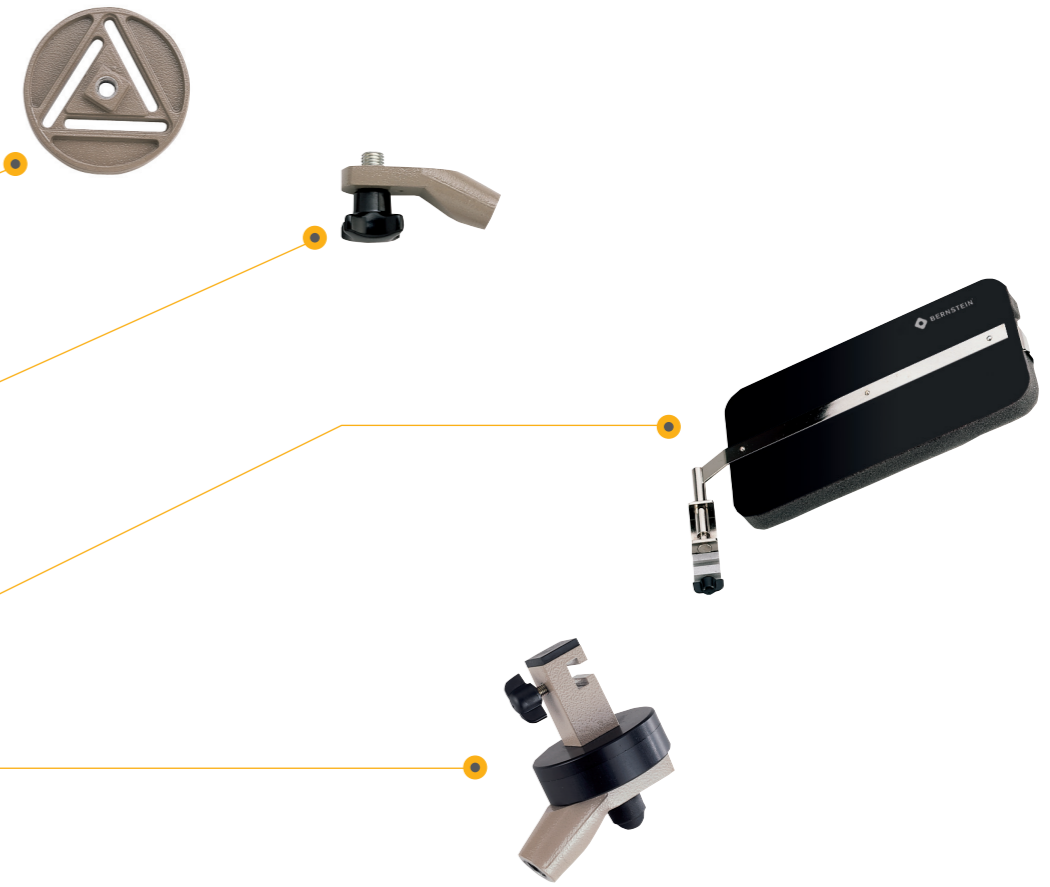
covered with 20 mm thick foamed plastic.
Components of different sizes are pressed in such a way that soldering can be carried out correctly after the circuit board holder has been turned.
Use: in conjunction with circuit board holder 9-253
Weight: 0.260 kg

9-257 **BERNSTEIN** **RAPID TURNING DEVICE**

with permanently connected angular adapter, permits swift rotation of the circuit board holder with the PCB and clamping lid through 180°.
Weight: 0.270 kg

APPLICATION EXAMPLES

9-251 9-253 9-255



CLAMPING DEVICES

CLAMPING EQUIPMENT SPANNFIX COMBINATIONS

Individual components

9-240



SPANNFIX-VARIO

3 piece set with interchangeable screw-working heads
9-251, 9-253 und 9-255
Weight: 1.300 kg



9-250



SPANNFIX-VARIO

5 piece set with following interchangeable screw-on work mounts
9-251, 9-252, 9-253, 9-254 and 9-255
Weight: 1.900 kg



9-270



SPANNFIX-VARIO-PLUS

Tailor-made combination of the following individual components:
9-251, 9-257, 9-253, 9-256
Weight: 1.800 kg



1516



SERVICE CASE HANDY

for storage and transport of SPANNFIX clamping equipment combinations.
The foam inlay in the tray with tailored cutouts allows the clearly arranged storage of following SPANNFIX parts:

- 9-251 Universal clamp mounting ball joint
- 9-252 Screw-on mounting vice
- 9-253 Circuit board holder
- 9-255 Angular adapter

The lid of the case is equipped with a pouch for documents and a flexible ribbon for part number 9-256 or for a tablet. Additionally small accessories can be fixed by elastic strips on the tool tray in the lid of the case.




SPANNFIX FOR SPECIAL POSITIONINGS

The universal Spannfix ball-and-socket joint base enables an exact and secure adjustment in all directions, e. g. of optoelectronic measuring instruments, of monitors and observation cameras.

- 9-251  **BERNSTEIN** **SPANNFIX**
 Universal clamp mounting ball joint base with threaded stud
 M 12 x 1.5 for work benches with a max. table thickness of 80 mm
 Weight: 0.950 kg



- 9-261  **BERNSTEIN** **SPANNFIX**
 bench mounted base with universal ball joint and threaded
 stud M 12 x 1.5 for permanent mounting using bolts
 Size of base: 150 x 105 mm
 Weight: 0.800 kg




- 9-262  **BERNSTEIN** **SPANNFIX**
 bench mounted base with universal ball joint and
 threaded stud M 12 x 1.5 with an especially large
 assembly device of Ø 40 mm and extralong thread stud
 with 25 mm for permanent mounting using bolts
 Size of base: 150 x 105 mm
 Weight: 0.850 kg




- 9-281  **BERNSTEIN** **SPANNFIX**
 bench mounted base with universal ball joint
 and threaded stud M 12 x 1.5
 for permanent mounting using bolts
 Size of base: 110 x 72 mm
 with 4 covered through holes for screws 6 mm Ø
 Weight: 0.650 kg



- 9-210  **BERNSTEIN** **SPANNFIX VACUUM BASE**
 with ball joint and threaded stud
 M 12 x 1,5 (consisting of 9-211 and 9-261)
 Weight: 1.500 kg



- 9-211  **BERNSTEIN** **SPANNFIX VACUUM BASE**
 only to be used in conjunction with 9-215 or 9-261 and 9-262
 Weight: 0.650 kg

